

MEM Bath shower set for bath rim or tile edge installation - Champagne (22kt Gold)

MEM

27 532 782



- 220mm projection
- spout: rectangular normal flow
- max. flow 27.3 l/min at 3 bar flow pressure
- Hand shower: COMPACT RAIN, max. flow rate 6.8 l/min (at 3 bar)
- complete hand shower set with anti-scale system
- automatic bath/shower diverter
- height of mixer 300 mm
- height up to aerator 170 mm
- hole diameter valve 32 mm
- hole diameter spout 32 mm
- hole diameter for complete hand shower set 32 mm
- rosette for spout 60 x 60mm
- rosette for complete hand shower set 60 x 60mm
- rosette for deck valve 60 x 60mm
- metal shower hose 1750mm with integrated anti-twist protection
- WRAS 2306058

Intrinsic protection against back flow.

Note: Local building codes may require the use of an anti-scald device. Please refer to remote pressure balance valve (35 910 970 90)

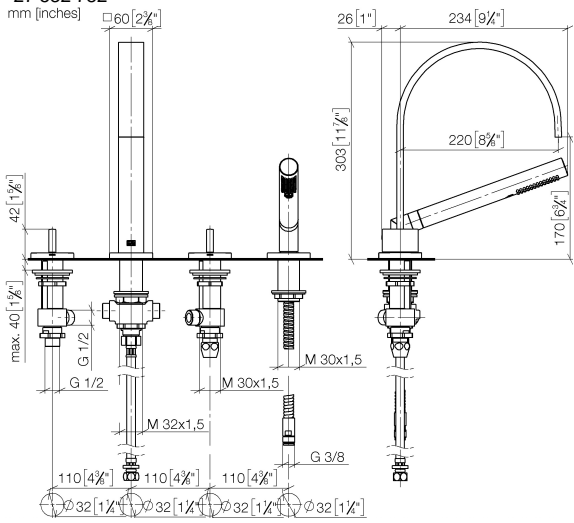
	Champagne (22kt Gold)	27 532 782-47
	Chrome	27 532 782-00
	Brushed Platinum	27 532 782-06
	Platinum	27 532 782-08
	Dark Chrome	27 532 782-19
	Brushed Durabronze (23kt Gold)	27 532 782-28
	Brushed Champagne (22kt Gold)	27 532 782-46
	Brushed Dark Platinum	27 532 782-99

MEM Bath shower set for bath rim or tile edge installation - Champagne (22kt Gold)

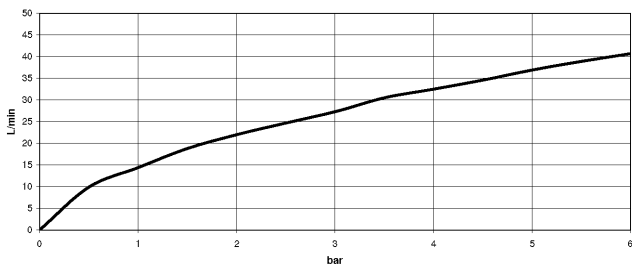
MEM

27 532 782

mm [inches]



Flow rate chart



Codes & Standards

ASME
A112.18.1/CSA
B125.1

Scottish Water
Byelaws

UK Water Supply
Regulations



MEM Bath shower set for bath rim or tile edge installation - Champagne (22kt Gold)

MEM

27 532 782

Certificates

WRAS_2306

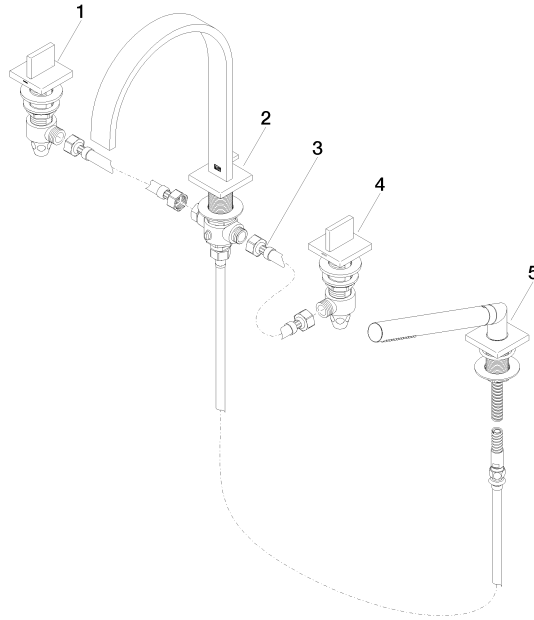
MEM Bath shower set for bath rim or tile edge installation - Champagne (22kt Gold)

MEM

27 532 782

Product version from 3/10/2014

Parts for other finishes can be found here: [Chrome](#)





MEM Bath shower set for bath rim or tile edge installation - Champagne (22kt Gold)

MEM

27 532 782

Spare parts list

Product version from 3/10/2014

No.	Item Number	Name	Quantity used	Delivery time
	20 000 783-47	MEM Deck valve anti-clockwise closing hot - Champagne (22kt Gold)	5	30