

27 702 809



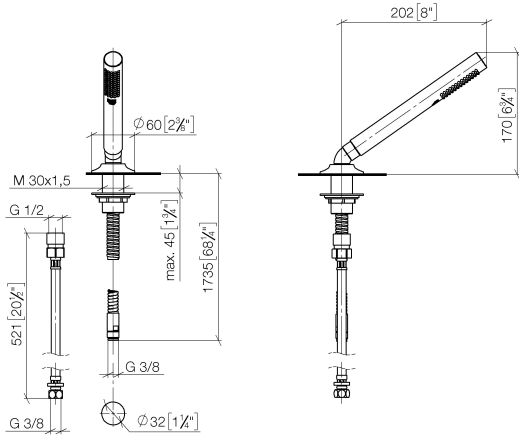
- COMPACT RAIN, max. flow rate 6.8 l/min (at 3 bar)
- with anti-scale system
- rosette Ø 60 mm
- hole diameter 32 mm
- metal shower hose 1750mm with integrated anti-twist protection
- WRAS 2209005

Intrinsic protection against back flow.

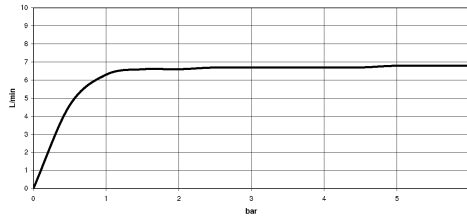
	Chrome	27 702 809-00
	Brushed Platinum	27 702 809-06
	Platinum	27 702 809-08
	Dark Chrome	27 702 809-19
	Brushed Durabronze (23kt Gold)	27 702 809-28
	Brushed Bronze	27 702 809-42
	Brushed Champagne (22kt Gold)	27 702 809-46
	Champagne (22kt Gold)	27 702 809-47
	Brushed Dark Platinum	27 702 809-99

27 702 809

mm [inches]



Flow rate chart



Codes & Standards

ASME A112.18.1	ASME A112.18.1/CSA B125.1	California Energy Commission (CEC)	cUPC
DIN 4109	EN 1717	ISO 3822	Scottish Water Byelaws
UK Water Supply Regulations	Ü-Zeichen		



VAIA Hand shower set for bath rim or tile edge installation - Chrome

VAIA

27 702 809

Certificates

LGA\_28

IAPMO\_4976

WRAS\_2209

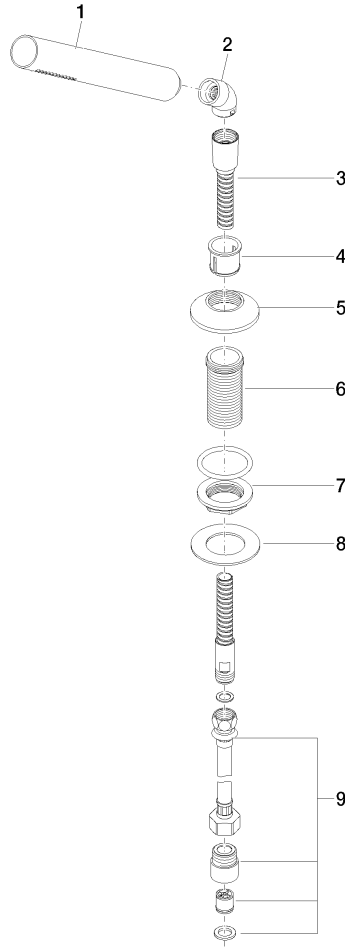
Belgaqua\_22\_282\_2

27 702 809

Product version from 3/13/2017 to 5/15/2020

**Product version from 3/13/2017 to 5/15/2020**

Parts for other finishes can be found here: [Brushed Platinum](#)





# VAIA Hand shower set for bath rim or tile edge installation - Chrome

VAIA

27 702 809

## Spare parts list

Product version from 3/13/2017 to 5/15/2020

### Product version from 3/13/2017 to 5/15/2020

No.	Item Number	Name	Quantity used	Delivery time
	90 12 11 140 30-00	shower	9	10