

27 702 980



Fits: IMO, MEM, CL.1, CYO

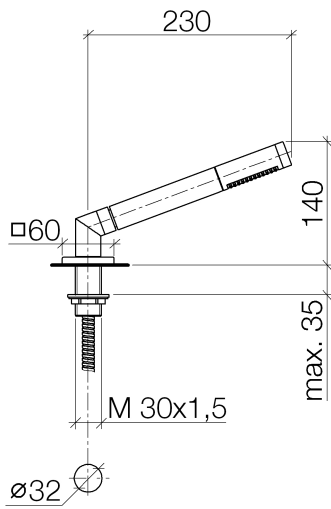
- COMPACT RAIN, max. flow rate 6.8 l/min (at 3 bar)
- with anti-scale system
- rosette 60 x 60 mm
- hole diameter 32 mm
- metal shower hose 2250mm with integrated anti-twist protection

Two-piece design allows hose to later be changed without dismantling the fitting.

Intrinsic protection against back flow.

	Dark Chrome	27 702 980-19
	Chrome	27 702 980-00
	Brushed Platinum	27 702 980-06
	Platinum	27 702 980-08
	Brushed Light Gold	27 702 980-27
	Brushed Durabronze (23kt Gold)	27 702 980-28
	Matte Black	27 702 980-33
	Brushed Champagne (22kt Gold)	27 702 980-46
	Champagne (22kt Gold)	27 702 980-47
	Brushed Chrome	27 702 980-93
	Brushed Dark Platinum	27 702 980-99

27 702 980



Flow rate chart



Codes & Standards

ASME	California Energy
A112.18.1/CSA	Commission
B125.1	(CEC)



Hand shower set for bath rim or tile edge installation - Dark Chrome

IMO

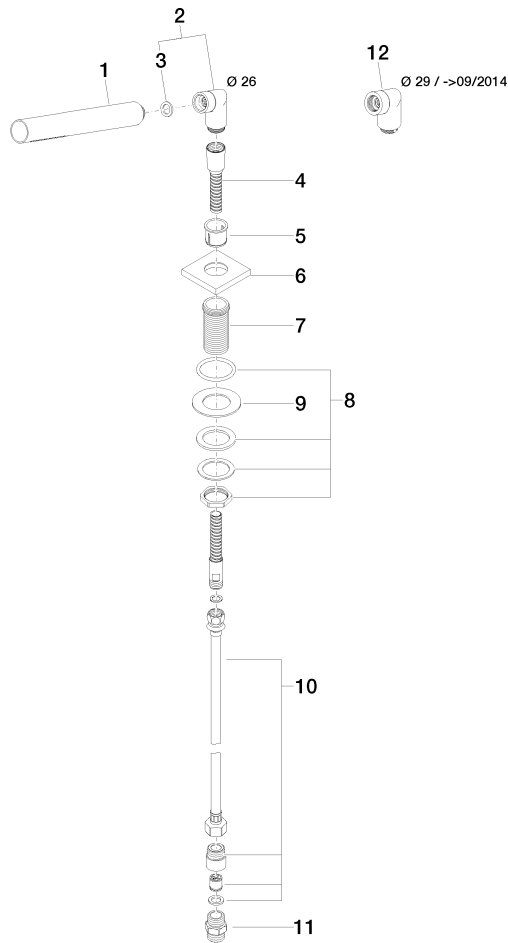
27 702 980

Certificates

WRAS_2209005.

27 702 980

Parts for other finishes can be found here: [Chrome](#)



Spare parts list

No.	Item Number	Name	Quantity used	Delivery time
1	90 12 11 140 30-19	shower	1	20
2	04 24 04 287 00-19	nipple	1	20
3	90 14 20 002 00 90	seal	1	2
4	28 322 970-19	Metal shower hose 1/2" x 3/8" x 1750 mm - Dark Chrome	1	20
5	90 18 40 085 00 90	sleeve	1	2
6	09 27 68 003-19	rosette	1	60
7	09 30 01 090-07	sleeve	1	30
8	04 23 10 032 46 90	fixing set	1	2
9	09 30 11 060 90	disc	1	2
10	12 505 970 90	High pressure hose 1/2" x 3/8" x 500 mm -	1	2
11	90 24 03 168 00 90	nipple	1	2
12	04 24 04 187 00-19	nipple	1	-

Spare part can no longer be ordered, please order the replacement item