

Hand shower set with integrated shower holder FlowReduce - Brushed Bronze

TARA

27 802 660



Fits: TARA, VAIA, META

- COMPACT RAIN, max. flow rate 6.8 l/min (at 3 bar)
- with anti-scale system
- 3/8" shower outlet
- metal shower hose 1250mm with integrated anti-twist protection
- rosette Ø 60 mm
- 1/2" connection
- This product reduces water consumption by % (compared to requirements of EPAAct '92)
- This product can contribute to Water Use Reduction in LEED® Green Building Rating
- This product can help a building meet the requirements of Green Building Rating Systems, e.g. LEED®, BREEAM®, DGNB

Intrinsic protection against back flow.

| | | |
|--|--------------------------------|--------------------|
|  | Brushed Bronze | 27 802 660-42 0010 |
|  | Chrome | 27 802 660-00 0010 |
|  | Brushed Platinum | 27 802 660-06 0010 |
|  | Platinum | 27 802 660-08 0010 |
|  | Dark Chrome | 27 802 660-19 0010 |
|  | Light Gold | 27 802 660-26 0010 |
|  | Brushed Light Gold | 27 802 660-27 0010 |
|  | Brushed Durabronze (23kt Gold) | 27 802 660-28 0010 |
|  | Matte Black | 27 802 660-33 0010 |
|  | Brushed Champagne (22kt Gold) | 27 802 660-46 0010 |
|  | Champagne (22kt Gold) | 27 802 660-47 0010 |
|  | Brushed Chrome | 27 802 660-93 0010 |
|  | Brushed Dark Platinum | 27 802 660-99 0010 |

Recommended miscellaneous

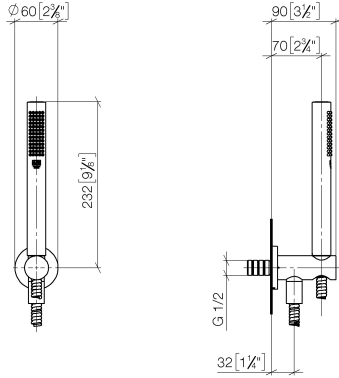
Concealed adapter -

35 080 970-90
0010

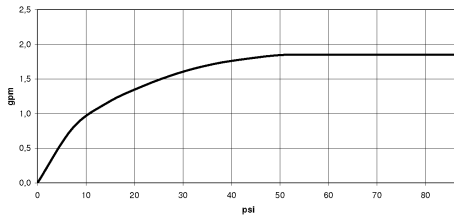


27 802 660

mm [inches]



Flow rate chart



Codes & Standards

ASME
A112.18.1/CSA
B125.1

California Energy
Commission
(CEC)

DIN 4109

ISO 3822

Ü-Zeichen



Hand shower set with integrated shower holder FlowReduce - Brushed Bronze

TARA

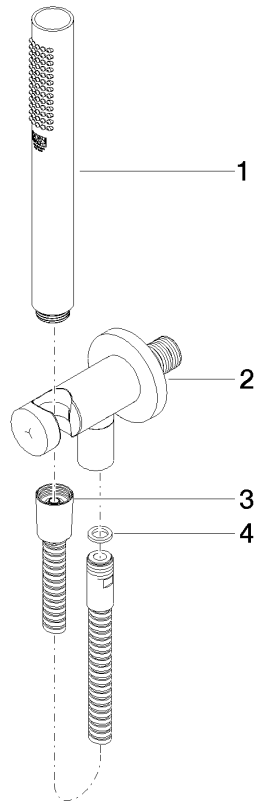
27 802 660

Certificates

LGA_29

27 802 660

Product version from 10/1/2023





Hand shower set with integrated shower holder FlowReduce - Brushed Bronze

TARA

27 802 660

Spare parts list

Product version from 10/1/2023

| No. | Item Number | Name | Quantity used | Delivery time |
|-----|--------------------|--------|---------------|---------------|
| | 90 12 11 140 30-42 | shower | 4 | 30 |