

27 802 892 Product version from 4/1/2024



- COMPACT RAIN, max. flow rate 6.8 l/min (at 3 bar)
 - with anti-scale system
 - 1/2" shower outlet
 - rosette for wall elbow Ø 55mm
 - rosette for shower holder Ø 55mm
 - metal shower hose 1250mm with integrated anti-twist protection
 - 1/2" wall elbow
 - This product reduces water consumption by 28% (compared to requirements of EPAct '92)
 - This product can contribute to Water Use Reduction in LEED® Green Building Rating
 - This product can help a building meet the requirements of Green Building Rating Systems, e.g. LEED®, BREEAM®, DGNB
- Intrinsic protection against back flow.**

Intrinsic protection against back flow.

	Chrome	27 802 892-00 0010
	Brushed Platinum	27 802 892-06 0010
	Platinum	27 802 892-08 0010
	Dark Chrome	27 802 892-19 0010
	Brushed Durabronze (23kt Gold)	27 802 892-28 0010
	Matte Black	27 802 892-33 0010
	Brushed Bronze	27 802 892-42 0010
	Brushed Champagne (22kt Gold)	27 802 892-46 0010
	Champagne (22kt Gold)	27 802 892-47 0010
	Brushed Chrome	27 802 892-93 0010
	Brushed Dark Platinum	27 802 892-99 0010

Required miscellaneous

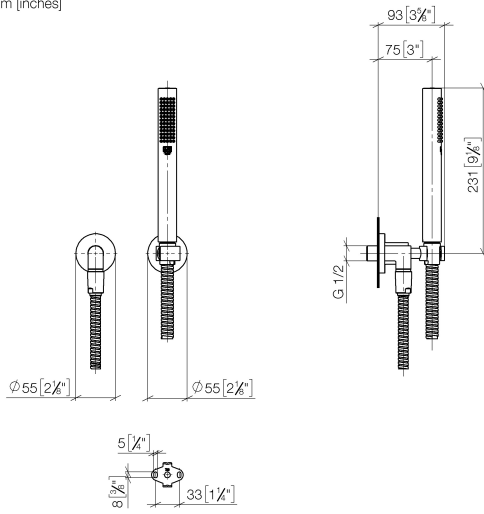
Concealed adapter -

35 080 970-90
0010



27 802 892 Product version from 4/1/2024

mm [inches]

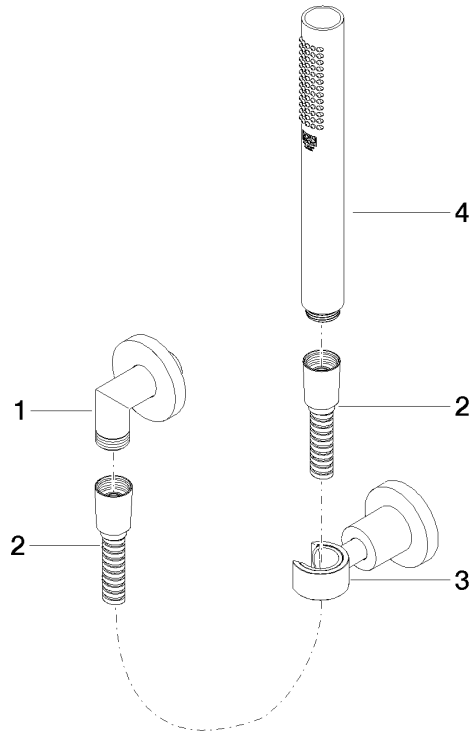


Codes & Standards

ASME A112.18.1	California Energy Commission (CEC)	cUPC	DIN 4109
ISO 3822	Ü-Zeichen		

Certificates and sustainability

LGA_29	IAPMO_4976
--------	------------



Spare parts list

No.	Item Number	Name	Quantity used	Delivery time
2	28 104 970-00	Metal shower hose 1/2" x 1/2" x 1250 mm - Chrome	1.00	2
1	28 450 892-00	connection	1.00	60
3	28 050 892-00	TARA Wall bracket - Chrome	1.00	10
4	90 12 11 140 41-00	shower	1.00	10