

**Hand shower set with integrated shower holder FlowReduce - Brushed Light Gold**

IMO

27 802 970



Fits: IMO, MEM, CL.1, CYO

- COMPACT RAIN, max. flow rate 6.8 l/min (at 3 bar)
- with anti-scale system
- 3/8" shower outlet
- metal shower hose 1250mm with integrated anti-twist protection
- rosette 60 x 60 mm
- 1/2" connection
- This product reduces water consumption by % (compared to requirements of EPAAct '92)
- This product can contribute to Water Use Reduction in LEED® Green Building Rating
- This product can help a building meet the requirements of Green Building Rating Systems, e.g. LEED®, BREEAM®, DGNB

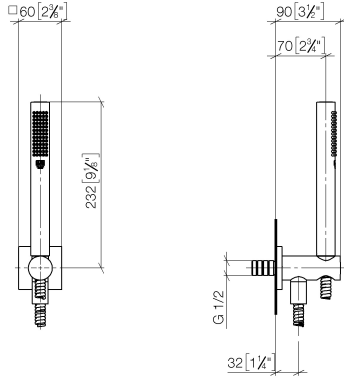
Intrinsic protection against back flow.

	Brushed Light Gold	27 802 970-27 0010
	Chrome	27 802 970-00 0010
	Brushed Platinum	27 802 970-06 0010
	Platinum	27 802 970-08 0010
	Dark Chrome	27 802 970-19 0010
	Brushed Durabronze (23kt Gold)	27 802 970-28 0010
	Matte Black	27 802 970-33 0010
	Brushed Champagne (22kt Gold)	27 802 970-46 0010
	Champagne (22kt Gold)	27 802 970-47 0010
	Brushed Chrome	27 802 970-93 0010
	Brushed Dark Platinum	27 802 970-99 0010

**Hand shower set with integrated shower holder FlowReduce - Brushed Light Gold**

IMO

27 802 970  
mm [inches]



**Codes & Standards**

ASME  
A112.18.1/CSA  
B125.1  
Ü-Zeichen

California Energy  
Commission  
(CEC)

DIN 4109

ISO 3822

**Certificates**

LGA\_29

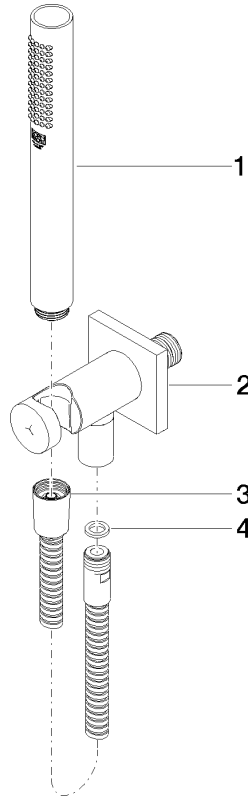
# Hand shower set with integrated shower holder FlowReduce - Brushed Light Gold

IMO

27 802 970

**Product version from 6/1/2024**

Parts for other finishes can be found here: [Chrome](#)





Hand shower set with integrated shower holder FlowReduce - Brushed Light Gold

IMO

27 802 970

**Spare parts list**

**Product version from 6/1/2024**

No.	Item Number	Name	Quantity used	Delivery time
	90 12 11 140 30-27	shower	4	30