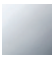

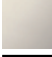





27 803 361



- spray head Ø 64mm
- COMPACT RAIN, max. flow rate 6.8 l/min (at 3 bar)
- with anti-scale system
- 1/2" shower outlet
- rosette for wall elbow Ø 55mm
- rosette for shower holder Ø 55mm
- metal shower hose 1250mm with integrated anti-twist protection
- 1/2" wall elbow
- This product reduces water consumption by % (compared to requirements of EPAAct '92)
- This product can contribute to Water Use Reduction in LEED® Green Building Rating
- This product can help a building meet the requirements of Green Building Rating Systems, e.g. LEED®, BREEAM®, DGNB

Intrinsic protection against back flow.

	Chrome	27 803 361-00 0010
	Brushed Platinum	27 803 361-06 0010
	Platinum	27 803 361-08 0010
	Durabrace (23kt Gold)	27 803 361-09 0010
	Brushed Durabrace (23kt Gold)	27 803 361-28 0010
	Brushed Dark Platinum	27 803 361-99 0010

**Recommended miscellaneous**

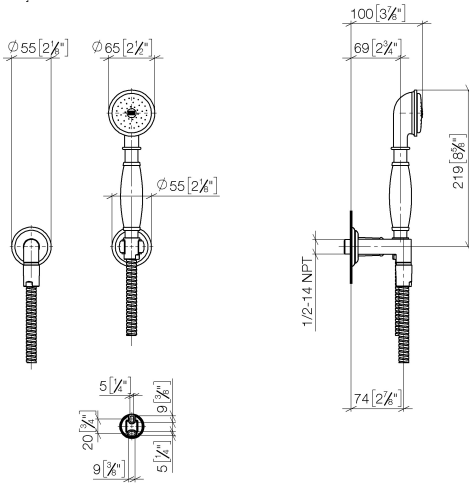
**Concealed adapter -**

35 080 970-90  
0010

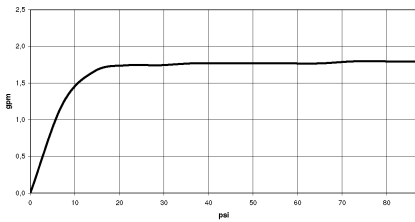


27 803 361

mm [inches]



**Flow rate chart**



**Codes & Standards**

California Energy  
Commission  
(CEC)

Water Sense





MADISON Hand shower set with individual rosettes FlowReduce - Chrome

---

MADISON

27 803 361

Certificates

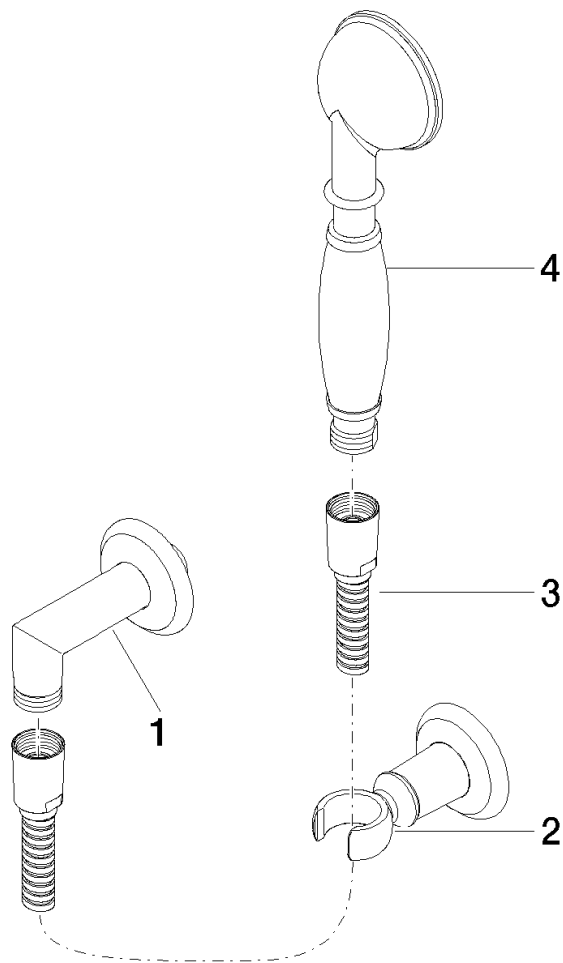
---

IAPMO\_11777.

LGA\_8492.

IAPMO\_4976 (4).

27 803 361



Spare parts list

No.	Item Number	Name	Quantity used	Delivery time
1	28 450 410-00 0010	MADISON Wall elbow - Chrome	1	10
2	28 050 361-00	MADISON Wall bracket - Chrome	1	10
3	28 104 970-00	Metal shower hose 1/2" x 1/2" x 1250 mm - Chrome	1	2
4	28 002 970-00 0010	MADISON Metal hand shower with porcelain insert (white) FlowReduce - Chrome	1	10