



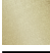



27 803 371



- spray head Ø 64mm
 - COMPACT RAIN, max. flow rate 6.8 l/min (at 3 bar)
 - with anti-scale system
 - 1/2" shower outlet
 - rosette for wall elbow Ø 60mm
 - rosette for shower holder Ø 60mm
 - metal shower hose 1250mm with integrated anti-twist protection
 - 1/2" wall elbow
 - This product reduces water consumption by % (compared to requirements of EPAAct '92)
 - This product can contribute to Water Use Reduction in LEED® Green Building Rating
 - This product can help a building meet the requirements of Green Building Rating Systems, e.g. LEED®, BREEAM®, DGNB
- Intrinsic protection against back flow.**

Intrinsic protection against back flow.

	Chrome	27 803 371-00 0010
	Brushed Platinum	27 803 371-06 0010
	Platinum	27 803 371-08 0010
	Durabrace (23kt Gold)	27 803 371-09 0010
	Brushed Durabrace (23kt Gold)	27 803 371-28 0010
	Brushed Dark Platinum	27 803 371-99 0010

Required miscellaneous

Concealed adapter -

35 080 970-90
0010



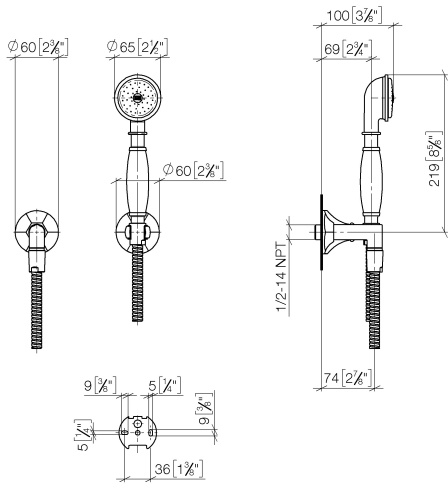


MADISON Hand shower set with individual rosettes FlowReduce - Chrome

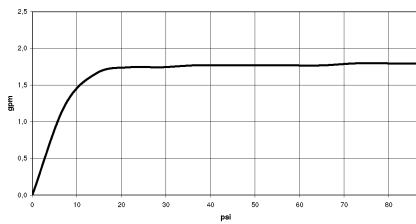
MADISON

27 803 371

mm [inches]



Flow rate chart



Codes & Standards

California Energy
Commission
(CEC)

Water Sense





MADISON Hand shower set with individual rosettes FlowReduce - Chrome

MADISON

27 803 371

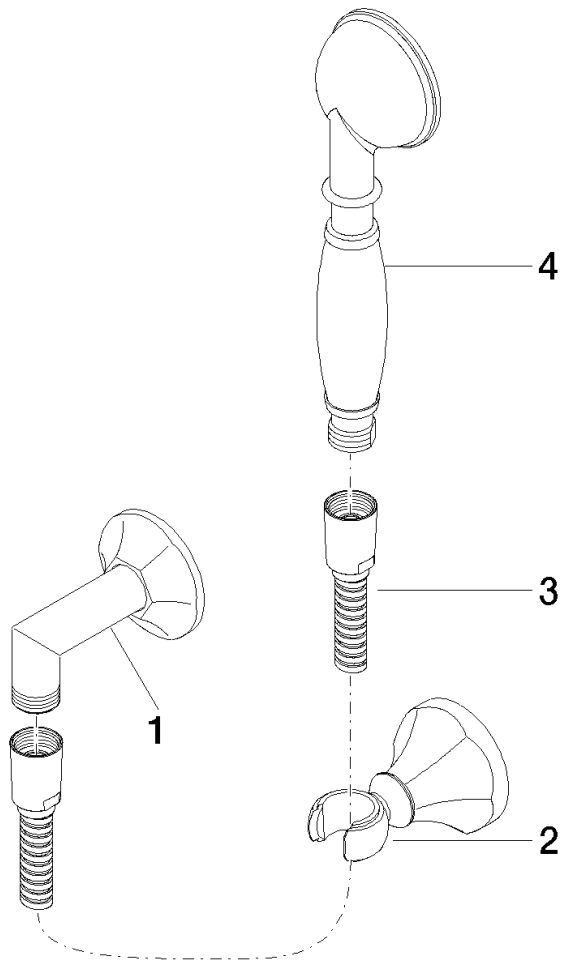
Certificates

IAPMO_11777.

LGA_8492.

IAPMO_4976 (4).

27 803 371



Spare parts list

No.	Item Number	Name	Quantity used	Delivery time
1	28 450 370-00 0010	connection	1	10
2	28 050 371-00	holder	1	10
3	28 104 970-00	Metal shower hose 1/2" x 1/2" x 1250 mm - Chrome	1	2
4	28 002 970-00 0010	MADISON Metal hand shower with porcelain insert (white) FlowReduce - Chrome	1	10