

27 803 892



- COMPACT RAIN, max. flow rate 6.8 l/min (at 3 bar)
 - three settings: normal flow, soft flow, massage flow
 - with anti-scale system
 - 1/2" shower outlet
 - rosette for wall elbow Ø 55mm
 - rosette for shower holder Ø 55mm
 - metal shower hose 1250mm with integrated anti-twist protection
 - 1/2" wall elbow
 - This product reduces water consumption by % (compared to requirements of EPAAct '92)
 - This product can contribute to Water Use Reduction in LEED® Green Building Rating
 - This product can help a building meet the requirements of Green Building Rating Systems, e.g. LEED®, BREEAM®, DGNB
- Intrinsic protection against back flow.**

Intrinsic protection against back flow.

	Chrome	27 803 892-00 0010
	Brushed Platinum	27 803 892-06 0010
	Platinum	27 803 892-08 0010
	Dark Chrome	27 803 892-19 0010
	Brushed Durabronz (23kt Gold)	27 803 892-28 0010
	Matte Black	27 803 892-33 0010
	Brushed Champagne (22kt Gold)	27 803 892-46 0010
	Champagne (22kt Gold)	27 803 892-47 0010
	Brushed Chrome	27 803 892-93 0010
	Brushed Dark Platinum	27 803 892-99 0010

Required miscellaneous

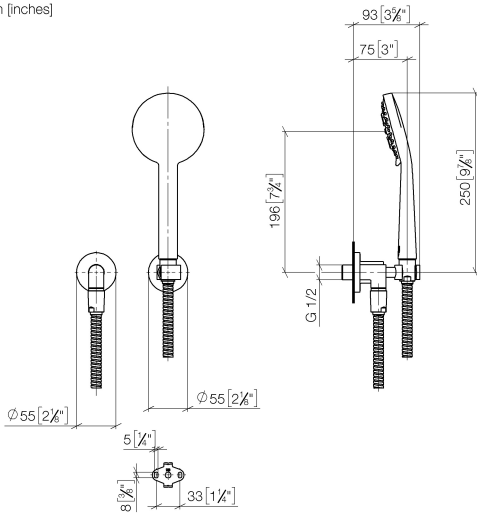
Concealed adapter -

35 080 970-90
0010

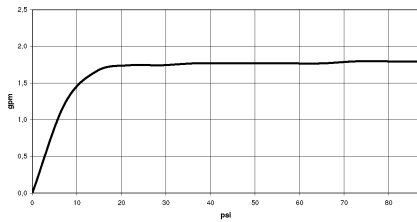


27 803 892

mm [inches]



Flow rate chart



Codes & Standards

ASME
A112.18.1/CSA
B125.1

California Energy
Commission
(CEC)



TARA Hand shower set with individual rosettes FlowReduce - Chrome

TARA

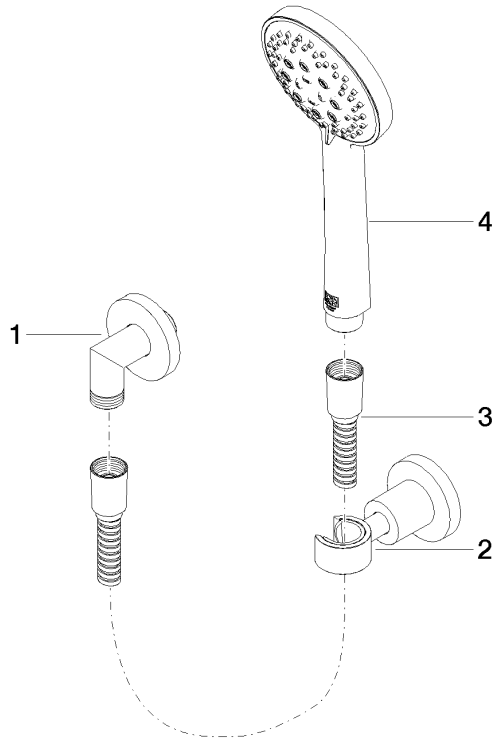
27 803 892

Certificates

LGA_29984.

IAPMO_4976 (2).

27 803 892



Spare parts list

No.	Item Number	Name	Quantity used	Delivery time
1	28 450 892-00	connection	1	60
2	28 050 892-00	TARA Wall bracket - Chrome	1	10
3	28 104 970-00	Metal shower hose 1/2" x 1/2" x 1250 mm - Chrome	1	2
4	28 014 979-00 0010	Hand shower - Chrome	1	-
Spare part can no longer be ordered, please order the replacement item				
	28018979-000010	Hand shower FlowReduce - Chrome		