

27 806 625



- COMPACT RAIN, max. flow rate 6.8 l/min (at 3 bar)
- with anti-scale system
- rosette Ø 55 mm
- metal shower hose 1250mm with integrated anti-twist protection
- shower holder rosette Ø 55mm
- This product reduces water consumption by % (compared to requirements of EPAct '92)
- This product can contribute to Water Use Reduction in LEED® Green Building Rating
- This product can help a building meet the requirements of Green Building Rating Systems, e.g. LEED®, BREEAM®, DGNB

Intrinsic protection against back flow.

	Chrome	27 806 625-00 0010
	Brushed Platinum	27 806 625-06 0010
	Dark Chrome	27 806 625-19 0010
	Light Gold	27 806 625-26 0010
	Brushed Light Gold	27 806 625-27 0010
	Brushed Durabronze (23kt Gold)	27 806 625-28 0010
	Matte Black	27 806 625-33 0010
	Brushed Bronze	27 806 625-42 0010
	Brushed Champagne (22kt Gold)	27 806 625-46 0010
	Champagne (22kt Gold)	27 806 625-47 0010
	Brushed Chrome	27 806 625-93 0010
	Brushed Dark Platinum	27 806 625-99 0010

Recommended miscellaneous

Concealed adapter -

35 080 970-90
0010



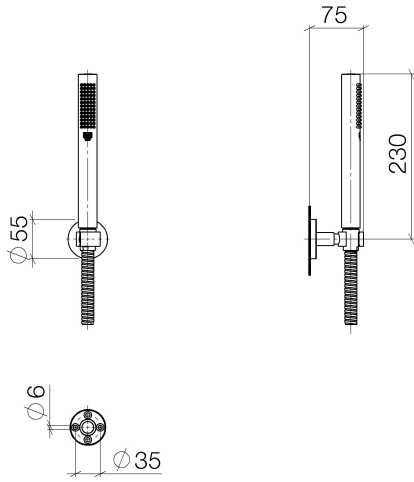
Recommended miscellaneous

Wall elbow - Chrome

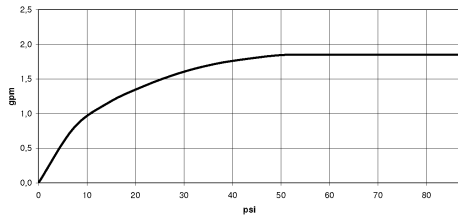
28 450 625-00



27 806 625



Flow rate chart



Codes & Standards

ASME	California Energy
A112.18.1/CSA	Commission
B125.1	(CEC)



META Hand shower set FlowReduce - Chrome

META

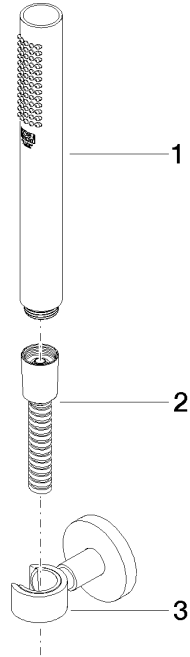
27 806 625

Certificates

LGA_29985.

IAPMO_4976 (1).

27 806 625



Spare parts list

No.	Item Number	Name	Quantity used	Delivery time
1	90 12 11 140 30-00	shower	1	10
2	90 30 02 072 00-00	Metal shower hose 1/2" x 3/8" x 1250 mm - Chrome	1	10
3	28 050 625-00	Wall bracket - Chrome	1	10