

27 808 710



- COMPACT RAIN, max. flow rate 6.8 l/min (at 3 bar)
 - with anti-scale system
 - 3/8" shower outlet
 - rosette for wall elbow 78 x 55mm
 - rosette for shower holder 78 x 55mm
 - metal shower hose 1250mm with integrated anti-twist protection
 - 1/2" wall elbow
 - This product reduces water consumption by % (compared to requirements of EPAct '92)
 - This product can contribute to Water Use Reduction in LEED® Green Building Rating
 - This product can help a building meet the requirements of Green Building Rating Systems, e.g. LEED®, BREEAM®, DGNB
- Intrinsic protection against back flow.**



Chrome

27 808 710-00 0010



Brushed Platinum

27 808 710-06 0010

Intrinsic protection against back flow.

Required miscellaneous

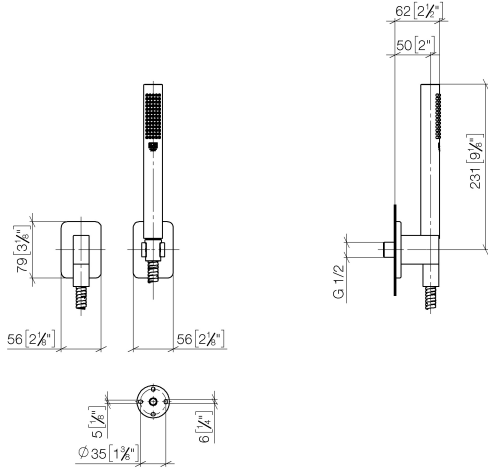
Concealed adapter -

35 080 970-90
0010

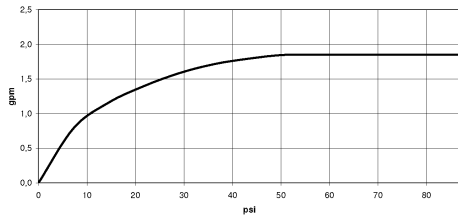


27 808 710

mm [inches]



Flow rate chart



Codes & Standards

ASME A112.18.1/CSA B125.1	California Energy Commission (CEC)
---------------------------------	--



LULU Hand shower set with individual rosettes FlowReduce - Chrome

LULU

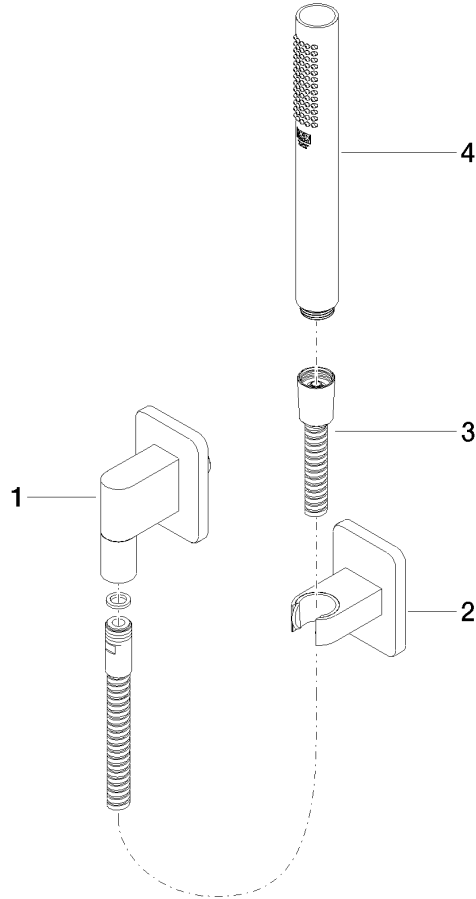
27 808 710

Certificates

LGA_29985.

IAPMO_4976 (1).

27 808 710



Spare parts list

No.	Item Number	Name	Quantity used	Delivery time
1	28 450 710-00	LULU Wall elbow - Chrome	1	10
2	28 050 710-00	LULU Wall bracket - Chrome	1	-
Spare part can no longer be ordered, please order the replacement item				
3	90 30 02 072 00-00	Metal shower hose 1/2" x 3/8" x 1250 mm - Chrome	1	10
4	90 12 11 140 30-00	shower	1	10