

# Hand shower set with individual rosettes FlowReduce - Chrome

IMO

27 808 980



Fits: IMO, MEM, CL.1, CYO

- COMPACT RAIN, max. flow rate 6.8 l/min (at 3 bar)
  - with anti-scale system
  - 3/8" shower outlet
  - rosette for wall elbow 60 x 60mm
  - rosette for shower holder 60 x 60mm
  - metal shower hose 1250mm with integrated anti-twist protection
  - 1/2" wall elbow
  - This product reduces water consumption by % (compared to requirements of EPAct '92)
  - This product can contribute to Water Use Reduction in LEED® Green Building Rating
  - This product can help a building meet the requirements of Green Building Rating Systems, e.g. LEED®, BREEAM®, DGNB
- Intrinsic protection against back flow.**

Intrinsic protection against back flow.

|  |                               |                    |
|--|-------------------------------|--------------------|
|  | Chrome                        | 27 808 980-00 0010 |
|  | Brushed Platinum              | 27 808 980-06 0010 |
|  | Platinum                      | 27 808 980-08 0010 |
|  | Dark Chrome                   | 27 808 980-19 0010 |
|  | Brushed Durabross (23kt Gold) | 27 808 980-28 0010 |
|  | Matte Black                   | 27 808 980-33 0010 |
|  | Brushed Champagne (22kt Gold) | 27 808 980-46 0010 |
|  | Champagne (22kt Gold)         | 27 808 980-47 0010 |
|  | Brushed Chrome                | 27 808 980-93 0010 |
|  | Brushed Dark Platinum         | 27 808 980-99 0010 |

## Required miscellaneous

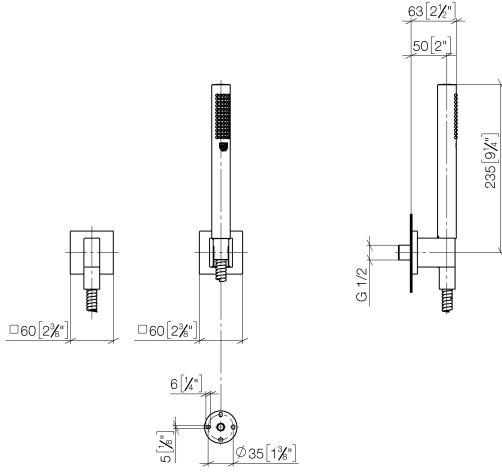
Concealed adapter -

35 080 970-90  
0010

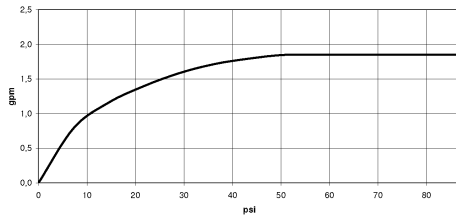


27 808 980

mm [inches]



Flow rate chart



Codes & Standards

|                                 |  |
|---------------------------------|--|
| ASME<br>A112.18.1/CSA<br>B125.1 | California Energy<br>Commission<br>(CEC) |
|---------------------------------|--|



## Hand shower set with individual rosettes FlowReduce - Chrome

---

IMO

27 808 980

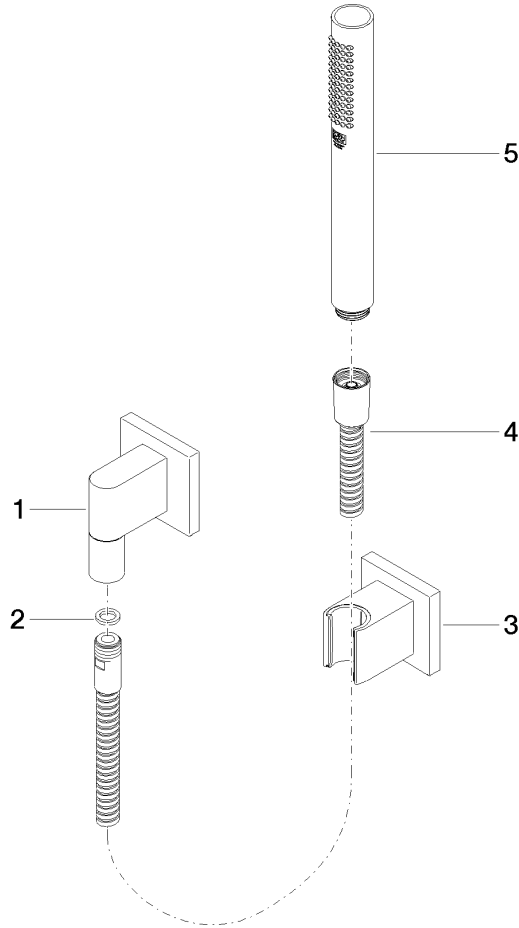
### Certificates

---

LGA\_29985.

IAPMO\_4976 (1).

27 808 980



Spare parts list

| No. | Item Number        | Name   | Quantity used | Delivery time |
|-----|--------------------|--|---------------|---------------|
| 1   | 28 450 980-00      | Wall elbow - Chrome                              | 1             | 10            |
| 2   | 90 14 20 026 00 90 | seal   | 1             | 2             |
| 3   | 28 050 980-00      | Wall bracket - Chrome                            | 1             | 10            |
| 4   | 90 30 02 072 00-00 | Metal shower hose 1/2" x 3/8" x 1250 mm - Chrome | 1             | 10            |
| 5   | 90 12 11 140 30-00 | shower   | 1             | 10            |