

Hand shower set with individual rosettes FlowReduce - Chrome

IMO

27 808 980



Fits: IMO, MEM, CL.1, CYO

- COMPACT RAIN, max. flow rate 6.8 l/min (at 3 bar)
 - with anti-scale system
 - 3/8" shower outlet
 - rosette for wall elbow 60 x 60mm
 - rosette for shower holder 60 x 60mm
 - metal shower hose 1250mm with integrated anti-twist protection
 - 1/2" wall elbow
 - This product reduces water consumption by % (compared to requirements of EPAct '92)
 - This product can contribute to Water Use Reduction in LEED® Green Building Rating
 - This product can help a building meet the requirements of Green Building Rating Systems, e.g. LEED®, BREEAM®, DGNB
- Intrinsic protection against back flow.**

Intrinsic protection against back flow.

	Chrome	27 808 980-00 0010
	Brushed Platinum	27 808 980-06 0010
	Platinum	27 808 980-08 0010
	Dark Chrome	27 808 980-19 0010
	Brushed Light Gold	27 808 980-27 0010
	Brushed Durabronze (23kt Gold)	27 808 980-28 0010
	Matte Black	27 808 980-33 0010
	Brushed Champagne (22kt Gold)	27 808 980-46 0010
	Champagne (22kt Gold)	27 808 980-47 0010
	Brushed Chrome	27 808 980-93 0010
	Brushed Dark Platinum	27 808 980-99 0010

Required miscellaneous

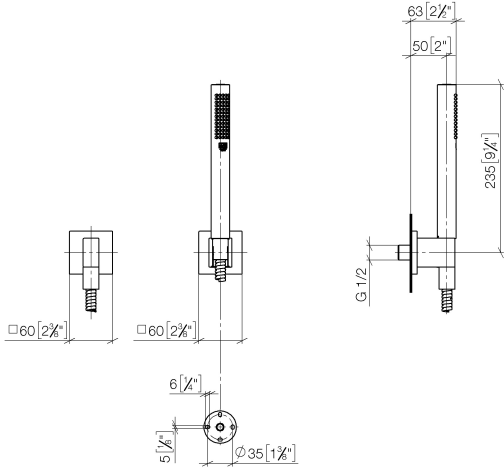
Concealed adapter -

35 080 970-90
0010

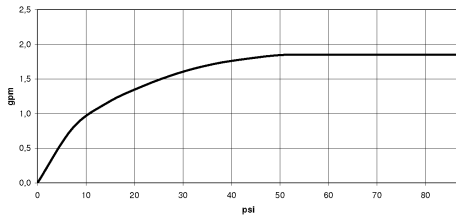


27 808 980

mm [inches]



Flow rate chart



Codes & Standards

ASME A112.18.1	ASME A112.18.1/CSA B125.1	California Energy Commission (CEC)	cUPC
DIN 4109	ISO 3822	Ü-Zeichen	



Hand shower set with individual rosettes FlowReduce - Chrome

IMO

27 808 980

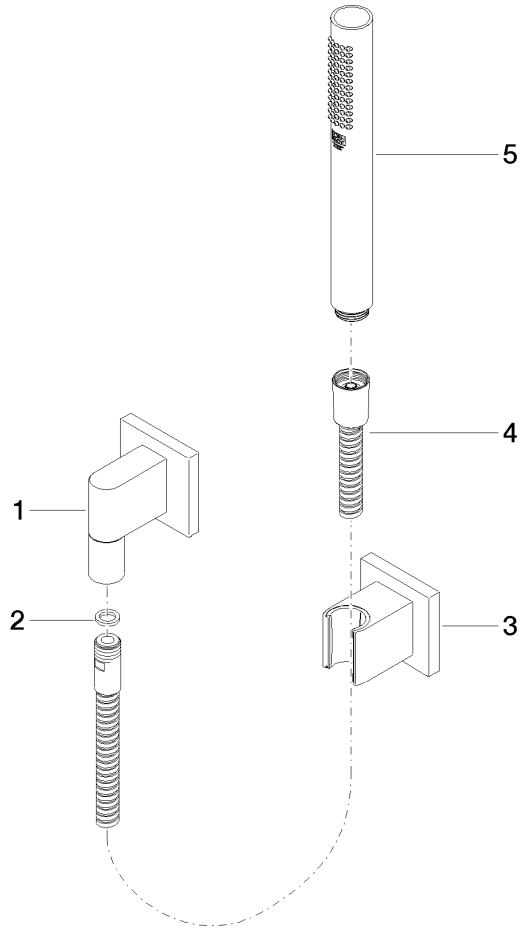
Certificates

IAPMO_4976

LGA_29

27 808 980

Product version from 4/1/2024





Hand shower set with individual rosettes FlowReduce - Chrome

IMO

27 808 980

Spare parts list

Product version from 4/1/2024

No.	Item Number	Name	Quantity used	Delivery time
	28 450 980-00	Wall elbow - Chrome	5	10