

Hand shower set with individual rosettes with volume control FlowReduce - Chrome

CL.1

27 809 985



- COMPACT RAIN, max. flow rate 6.8 l/min (at 3 bar)
 - with volume control
 - with anti-scale system
 - 3/8" shower outlet
 - rosette for wall elbow 60 x 60mm
 - rosette for shower holder 60 x 60mm
 - metal shower hose 1250mm with integrated anti-twist protection
 - 1/2" wall elbow
 - This product reduces water consumption by % (compared to requirements of EPAAct '92)
 - This product can contribute to Water Use Reduction in LEED® Green Building Rating
 - This product can help a building meet the requirements of Green Building Rating Systems, e.g. LEED®, BREEAM®, DGNB
- Intrinsic protection against back flow.**

Intrinsic protection against back flow.

	Chrome	27 809 985-00 0010
	Brushed Platinum	27 809 985-06 0010
	Platinum	27 809 985-08 0010
	Dark Chrome	27 809 985-19 0010
	Brushed Durabross (23kt Gold)	27 809 985-28 0010
	Brushed Champagne (22kt Gold)	27 809 985-46 0010
	Champagne (22kt Gold)	27 809 985-47 0010
	Brushed Chrome	27 809 985-93 0010
	Brushed Dark Platinum	27 809 985-99 0010

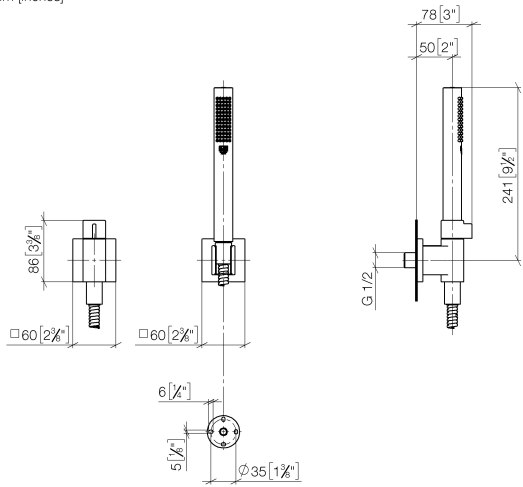
Required miscellaneous

Concealed adapter -

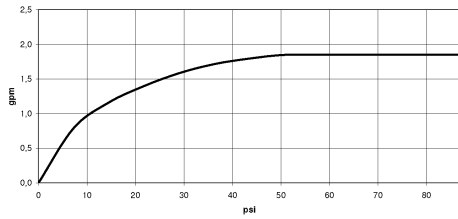
35 080 970-90
0010



27 809 985
mm [inches]



Flow rate chart



Codes & Standards

ASME
A112.18.1/CSA
B125.1

California Energy
Commission
(CEC)



Hand shower set with individual rosettes with volume control FlowReduce -
Chrome

CL.1

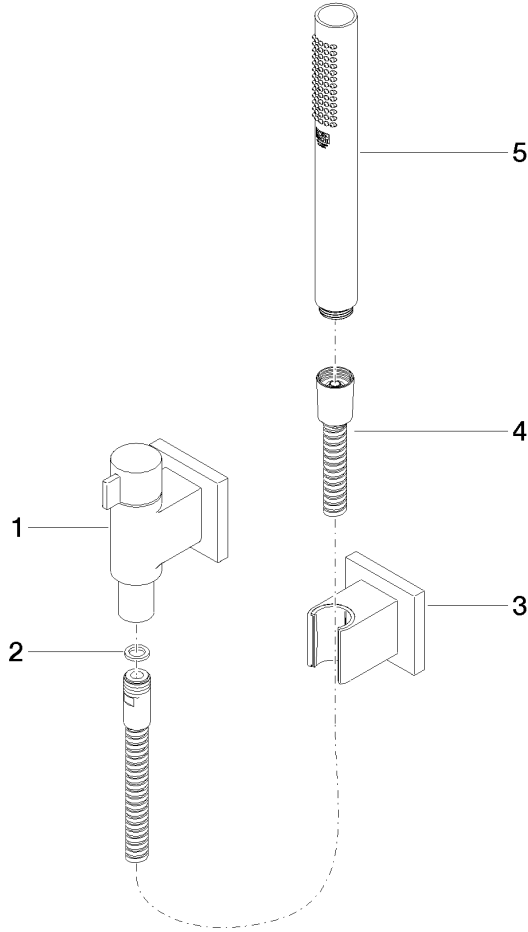
27 809 985

Certificates

LGA_29985.

IAPMO_4976 (1).

27 809 985



Spare parts list

No.	Item Number	Name	Quantity used	Delivery time
1	28 451 985-00	connection	1	60
2	90 14 20 026 00 90	seal	1	2
3	28 050 980-00	Wall bracket - Chrome	1	10
4	90 30 02 072 00-00	Metal shower hose 1/2" x 3/8" x 1250 mm - Chrome	1	10
5	90 12 11 140 30-00	shower	1	10