

Hand shower set with cover plate FlowReduce - Chrome

MEM

27 818 980



Fits: MEM, CL.1, CYO

- COMPACT RAIN, max. flow rate 6.8 l/min (at 3 bar)
 - with anti-scale system
 - 3/8" shower outlet
 - cover plate 240 x 60 mm
 - metal shower hose 1250mm with integrated anti-twist protection
 - 1/2" wall elbow
 - This product reduces water consumption by % (compared to requirements of EPAct '92)
 - This product can contribute to Water Use Reduction in LEED® Green Building Rating
 - This product can help a building meet the requirements of Green Building Rating Systems, e.g. LEED®, BREEAM®, DGNB
- Intrinsic protection against back flow.**

Intrinsic protection against back flow.

	Chrome	27 818 980-00 0010
	Brushed Platinum	27 818 980-06 0010
	Platinum	27 818 980-08 0010
	Dark Chrome	27 818 980-19 0010
	Brushed Durabrass (23kt Gold)	27 818 980-28 0010
	Matte Black	27 818 980-33 0010
	Brushed Champagne (22kt Gold)	27 818 980-46 0010
	Champagne (22kt Gold)	27 818 980-47 0010
	Brushed Chrome	27 818 980-93 0010
	Brushed Dark Platinum	27 818 980-99 0010

Required miscellaneous

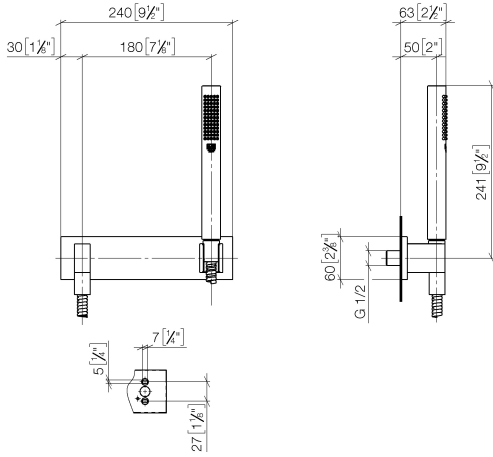
Concealed adapter -

35 080 970-90
0010

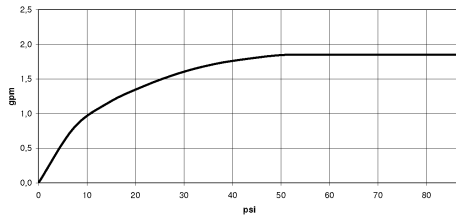


27 818 980

mm [inches]



Flow rate chart



Codes & Standards

ASME
A112.18.1/CSA
B125.1

California Energy
Commission
(CEC)



Hand shower set with cover plate FlowReduce - Chrome

MEM

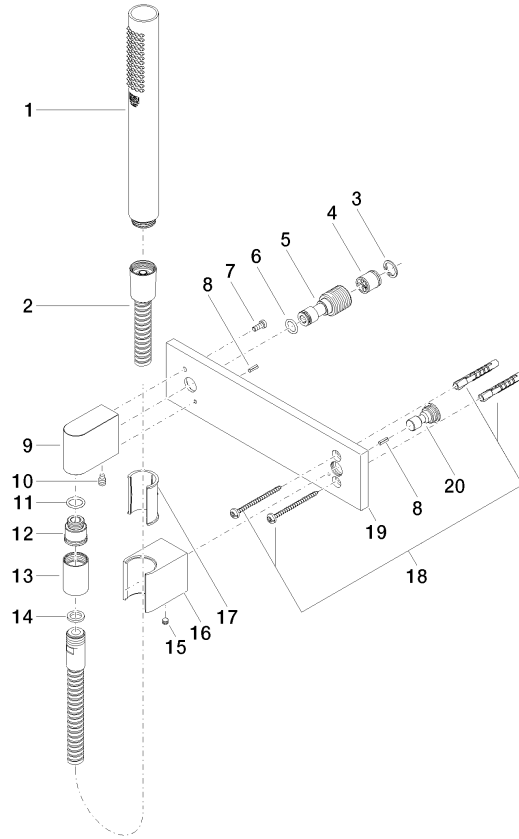
27 818 980

Certificates

LGA_29985.

IAPMO_4976 (1).

27 818 980



Spare parts list

No.	Item Number	Name	Quantity used	Delivery time
1	90 12 11 140 30-00	shower	1	10
2	90 30 02 072 00-00	Metal shower hose 1/2" x 3/8" x 1250 mm - Chrome	1	10
3	09 16 01 014 90	ring	1	2
4	90 23 01 040 00 90	back-flow preventer	1	2
5	09 24 03 116 20 90	nipple	1	2
6	09 14 10 008 90	seal	1	2
7	09 30 30 054 90	screw	1	2
8	09 31 11 026 90	pin	2	2
9	09 11 03 026 20-00	connection	1	60
10	04 31 11 140 00 90	pin	1	2
11	90 14 10 077 00 90	seal	1	2
12	09 24 03 107 20 90	nipple	1	2
13	90 21 02 069 00-00	cover	1	10
14	90 14 20 026 00 90	seal	1	2
15	90 31 11 112 00 90	pin	1	2
16	09 17 20 035-00	holder	1	60
17	09 18 40 078 90	sleeve	1	2
18	05 30 31 025 00 90	fixing set	1	2
19	09 11 02 120-00	plate	1	10
20	09 24 03 073 90	nipple	1	2