

**WATER TUBE Kneipp wall elbow with hose holder with individual rosettes -
Matte Black**

IMO

27 821 979



Fits: IMO, MEM, CL.1, CYO

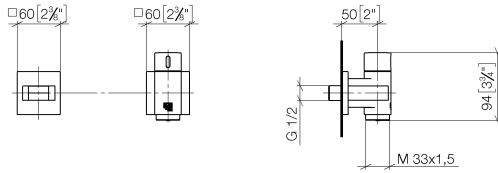
- LAMINAR FLOW, max. flow rate 15 l/min (at 3 bar)
- with volume control
- rosette 60 x 60 mm
- holder for Kneipp hose
- 1/2" wall elbow
- without hose

Intrinsic protection against back flow.

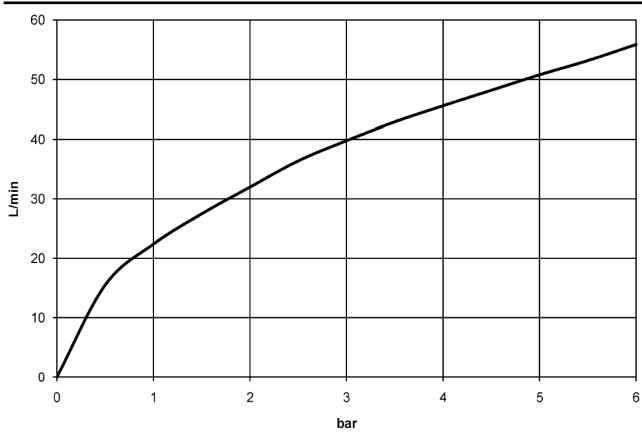
Product change as of 1.4.2023: max. flow 15 l/min

| | | |
|--|--------------------------------|---------------|
|  | Matte Black | 27 821 979-33 |
|  | Chrome | 27 821 979-00 |
|  | Brushed Platinum | 27 821 979-06 |
|  | Platinum | 27 821 979-08 |
|  | Dark Chrome | 27 821 979-19 |
|  | Brushed Light Gold | 27 821 979-27 |
|  | Brushed Durabronze (23kt Gold) | 27 821 979-28 |
|  | Brushed Champagne (22kt Gold) | 27 821 979-46 |
|  | Champagne (22kt Gold) | 27 821 979-47 |
|  | Brushed Chrome | 27 821 979-93 |
|  | Brushed Dark Platinum | 27 821 979-99 |

27 821 979
mm [inches]



Flow rate chart



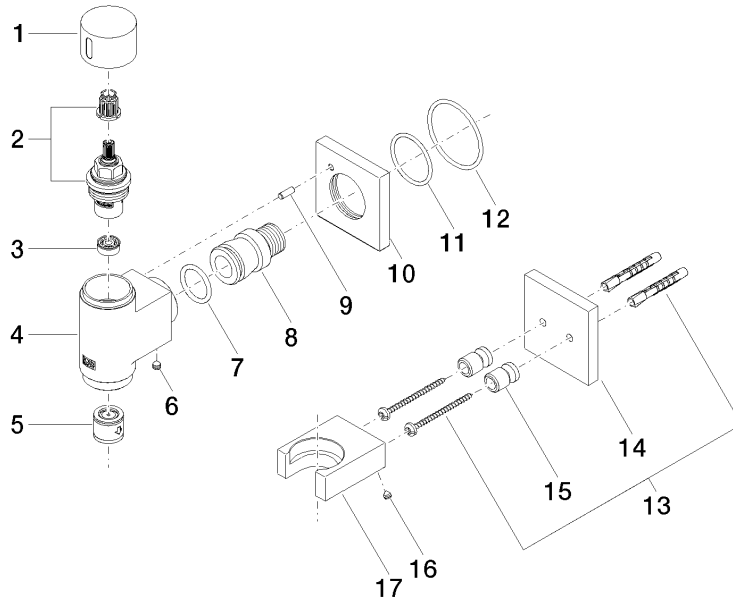
Certificates

Belgaqua_22_280_2
7_7.

**WATER TUBE Kneipp wall elbow with hose holder with individual rosettes -
Matte Black**

27 821 979

Parts for other
finishes can be found
here: [Chrome](#)



Spare parts list

| No. | Item Number | Name | Quantity used | Delivery time |
|-----|--------------------|---------------------|---------------|---------------|
| 1 | 09 20 97 021-33 | handle | 1 | 60 |
| 2 | 90 90 03 145 00 90 | top | 1 | 2 |
| 3 | 90 23 01 146 00 90 | flow reducer | 1 | 2 |
| 4 | 09 11 03 135-33 | connection | 1 | 60 |
| 5 | 90 23 01 045 00 90 | back-flow preventer | 1 | 2 |
| 6 | 90 31 11 112 00 90 | pin | 1 | 2 |
| 7 | 09 14 10 081 90 | seal | 1 | 2 |
| 8 | 09 24 03 151 90 | nipple | 1 | 2 |
| 9 | 09 31 11 040 90 | pin | 1 | 2 |
| 10 | 09 27 97 021-33 | rosette | 1 | 60 |
| 11 | 09 14 10 119 90 | seal | 1 | 2 |
| 12 | 90 14 10 049 00 90 | seal | 1 | 2 |
| 13 | 05 30 31 025 00 90 | fixing set | 1 | 2 |
| 14 | 09 27 97 022-33 | rosette | 1 | 60 |
| 15 | 08 17 20 726 90 | holder | 2 | 2 |
| 16 | 09 31 11 148 90 | pin | 2 | 2 |
| 17 | 09 17 20 023-33 | holder | 1 | 30 |