

**WATER TUBE Kneipp wall elbow with individual rosettes with hose holder -
Brushed Dark Platinum**

IMO

27 822 979 Product version from 3/12/2018



- laminar flow
- Max. flow rate l/min (at 3 bar)
- rosette 60 x 60 mm
- holder for Kneipp hose
- 1/2" wall elbow
- without hose

Intrinsic protection against back flow.

Product change as of 1.4.2023: max. flow 15 l/min

Fits: IMO, MEM, CL.1, CYO

Required miscellaneous



WATER TUBE Kneipp hose white 28 285 979-99
2000 mm - Brushed Dark Platinum
•with holding ring
•hose nozzle with sleeve M33

Required miscellaneous

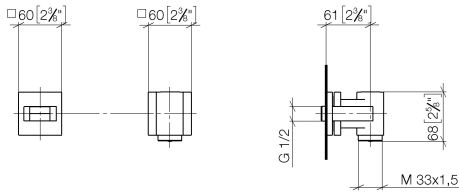


WATER TUBE Kneipp hose black 28 286 979-99
2000 mm - Brushed Dark Platinum
•with holding ring
•hose nozzle with sleeve M33

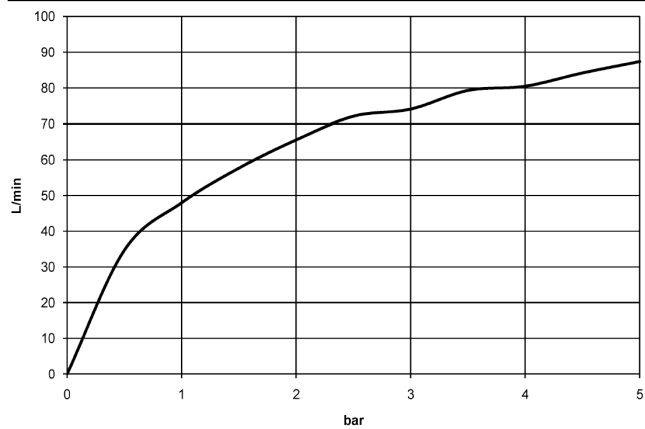
**WATER TUBE Kneipp wall elbow with individual rosettes with hose holder -
Brushed Dark Platinum**

IMO

27 822 979 Product version from 3/12/2018
mm [inches]



Flow rate chart



Codes & Standards

EN 1717



**WATER TUBE Kneipp wall elbow with individual rosettes with hose holder -
Brushed Dark Platinum**

IMO

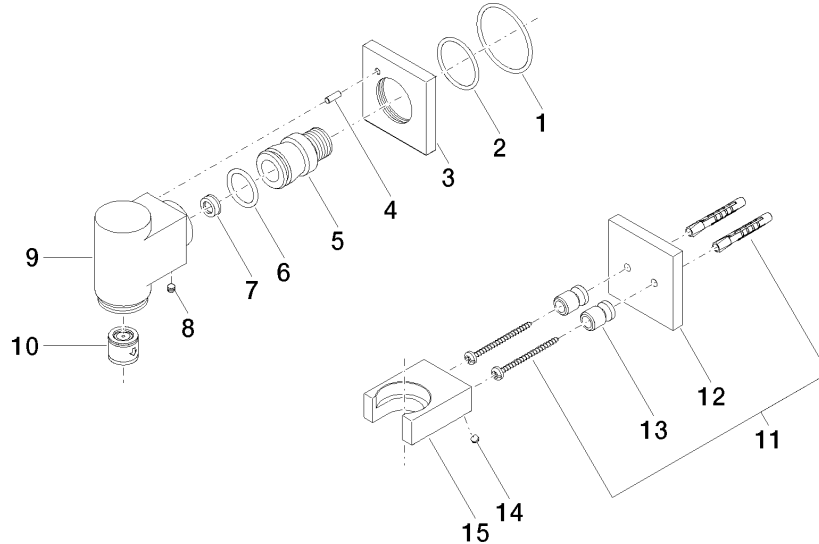
27 822 979 Product version from 3/12/2018

Certificates

Belgaqua_22_280_2

**WATER TUBE Kneipp wall elbow with individual rosettes with hose holder -
Brushed Dark Platinum**

27 822 979 Product version from 3/12/2018



Spare parts list

No.	Item Number	Name	Quantity used	Delivery time
1	90 14 10 049 00 90	seal	1	2
2	09 14 10 119 90	seal	1	2
3	09 27 97 021-99	rosette	1	60
4	09 31 11 040 90	pin	1	2
5	09 24 03 151 90	nipple	1	2
6	09 14 10 081 90	seal	1	2
7	90 31 11 112 00 90	pin	1	2
8	09 11 03 053-99	connection	1	60
9	90 23 01 045 00 90	back-flow preventer	1	2
10	05 17 20 726 02 90	fixing set	1	2
11	09 27 97 022-99	rosette	1	60
12	08 17 20 726 90	holder	2	2
13	09 31 11 148 90	pin	2	2
14	09 17 20 023-99	holder	1	60