

**WATER TUBE Kneipp wall elbow with hose holder with individual rosettes
FlowReduce - Platinum**

IMO

27 841 979



Fits: IMO, MEM, CL.1, CYO

- LAMINAR FLOW, max. flow rate l/min (at 3 bar)
- with volume control
- rosette 60 x 60 mm
- holder for Kneipp hose
- 1/2" wall elbow
- without hose
- This product can help a building meet the requirements of Green Building Rating Systems, e.g. LEED®, BREEAM®, DGNB

Intrinsic protection against back flow.

	Platinum	27 841 979-08
	Chrome	27 841 979-00
	Brushed Platinum	27 841 979-06
	Dark Chrome	27 841 979-19
	Brushed Light Gold	27 841 979-27
	Brushed Durabronz (23kt Gold)	27 841 979-28
	Matte Black	27 841 979-33
	Brushed Champagne (22kt Gold)	27 841 979-46
	Champagne (22kt Gold)	27 841 979-47
	Brushed Chrome	27 841 979-93
	Brushed Dark Platinum	27 841 979-99

**WATER TUBE Kneipp wall elbow with hose holder with individual rosettes
FlowReduce - Platinum**

IMO

27 841 979
mm [inches]



Flow rate chart



Codes & Standards

EN 1717



WATER TUBE Kneipp wall elbow with hose holder with individual rosettes
FlowReduce - Platinum

IMO

27 841 979

Certificates

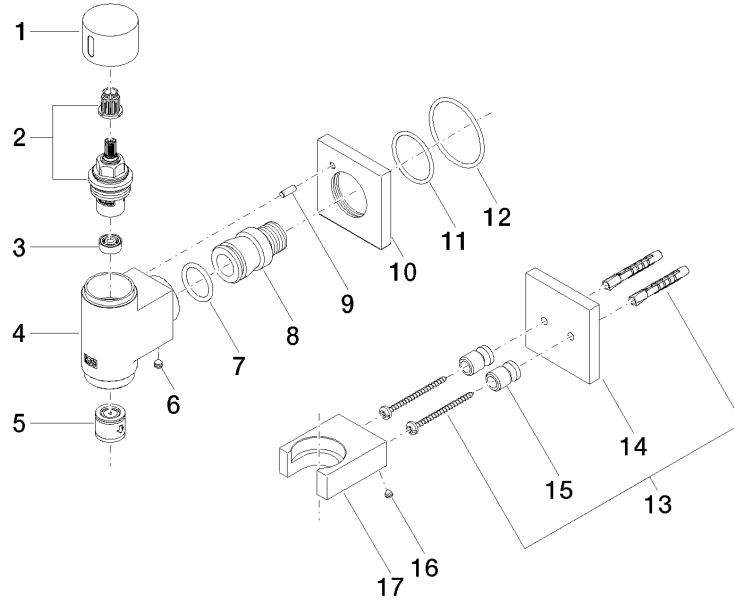
Belgaqua_24-007-2

WATER TUBE Kneipp wall elbow with hose holder with individual rosettes
FlowReduce - Platinum

27 841 979

Product version from 6/1/2024

Parts for other finishes can be found here: Chrome





WATER TUBE Kneipp wall elbow with hose holder with individual rosettes
FlowReduce - Platinum

IMO

27 841 979

Spare parts list

Product version from 6/1/2024

No.	Item Number	Name	Quantity used	Delivery time
	09 20 97 021-08	handle	18	40