

**WATER TUBE Kneipp wall elbow with hose holder with individual rosettes
FlowReduce - Dark Chrome**

IMO

27 841 979



Fits: IMO, MEM, CL.1, CYO

- LAMINAR FLOW, max. flow rate l/min (at 3 bar)
- with volume control
- rosette 60 x 60 mm
- holder for Kneipp hose
- 1/2" wall elbow
- without hose
- This product can help a building meet the requirements of Green Building Rating Systems, e.g. LEED®, BREEAM®, DGNB

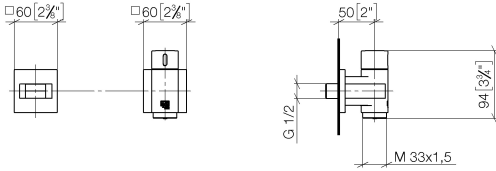
Intrinsic protection against back flow.

| | | |
|--|-------------------------------|---------------|
|  | Dark Chrome | 27 841 979-19 |
|  | Chrome | 27 841 979-00 |
|  | Brushed Platinum | 27 841 979-06 |
|  | Platinum | 27 841 979-08 |
|  | Brushed Light Gold | 27 841 979-27 |
|  | Brushed Durabronz (23kt Gold) | 27 841 979-28 |
|  | Matte Black | 27 841 979-33 |
|  | Brushed Champagne (22kt Gold) | 27 841 979-46 |
|  | Champagne (22kt Gold) | 27 841 979-47 |
|  | Brushed Chrome | 27 841 979-93 |
|  | Brushed Dark Platinum | 27 841 979-99 |

WATER TUBE Kneipp wall elbow with hose holder with individual rosettes
FlowReduce - Dark Chrome

IMO

27 841 979
mm [inches]



Flow rate chart



Codes & Standards

EN 1717



WATER TUBE Kneipp wall elbow with hose holder with individual rosettes
FlowReduce - Dark Chrome

IMO

27 841 979

Certificates

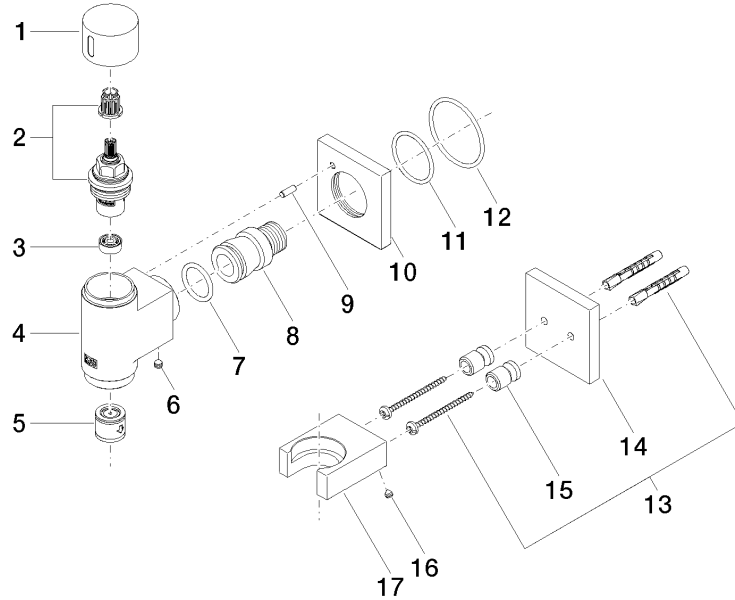
Belgaqua_24-007-2

WATER TUBE Kneipp wall elbow with hose holder with individual rosettes
FlowReduce - Dark Chrome

27 841 979

Product version from 6/1/2024

Parts for other finishes can be found here: Chrome





WATER TUBE Kneipp wall elbow with hose holder with individual rosettes
FlowReduce - Dark Chrome

IMO

27 841 979

Spare parts list

Product version from 6/1/2024

| No. | Item Number | Name | Quantity used | Delivery time |
|-----|-----------------|--------|---------------|---------------|
| | 09 20 97 021-19 | handle | 18 | 20 |