

**Rain shower for surface-mounted ceiling installation with light 300 mm -
Brushed Bronze**

TARA

28 032 970



Fits: TARA, LISSÉ, VAIA, META

- rain shower Ø 300 mm
- PURE RAIN, max. flow rate 6.8 l/min (at 3 bar)
- PURIFY RAIN, max. flow rate 6 l/min (at 3 bar)
- Distance to ceiling from bottom edge of shower 40 mm
- with anti-scale system
- central LED Spot 3000 K
- Provided by customer: Light switch
- This product can help a building meet the requirements of Green Building Rating Systems, e.g. LEED®, BREEAM®, DGNB
- Not suitable for use in a steam room.

Three-way diverter trim is sold separately

Pre-assembly kit for three-way diverter included includes light bulbs with a Class F energy efficiency

Three-way diverter trim is sold separately

Pre-assembly kit for three-way diverter included includes light bulbs with a Class F energy efficiency

| | | |
|--|-------------------------------|--------------------|
| | Brushed Bronze | 28 032 970-42 0010 |
| | Chrome | 28 032 970-00 0010 |
| | Brushed Platinum | 28 032 970-06 0010 |
| | Platinum | 28 032 970-08 0010 |
| | Dark Chrome | 28 032 970-19 0010 |
| | Light Gold | 28 032 970-26 0010 |
| | Brushed Light Gold | 28 032 970-27 0010 |
| | Brushed Durabross (23kt Gold) | 28 032 970-28 0010 |
| | Matte Black | 28 032 970-33 0010 |
| | Brushed Champagne (22kt Gold) | 28 032 970-46 0010 |
| | Champagne (22kt Gold) | 28 032 970-47 0010 |
| | Brushed Chrome | 28 032 970-93 0010 |
| | Brushed Dark Platinum | 28 032 970-99 0010 |

Required miscellaneous



Concealed ceiling installation box for surface-mounted ceiling installation with light - 35 042 970-90 0010

- min. recess depth 90 mm
- Pre-assembly kit for three-way diverter included
- max. recess depth 115 mm
- Provided by customer: Light switch

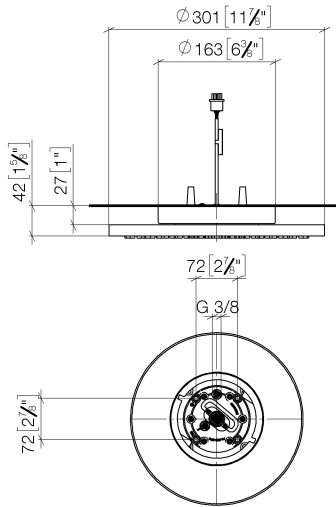


Rain shower for surface-mounted ceiling installation with light 300 mm - Brushed Bronze

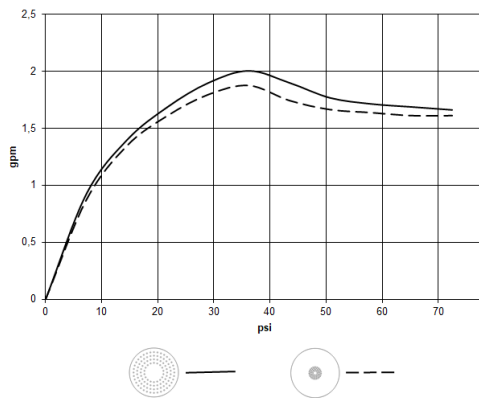
TARA

28 032 970

mm [inches]



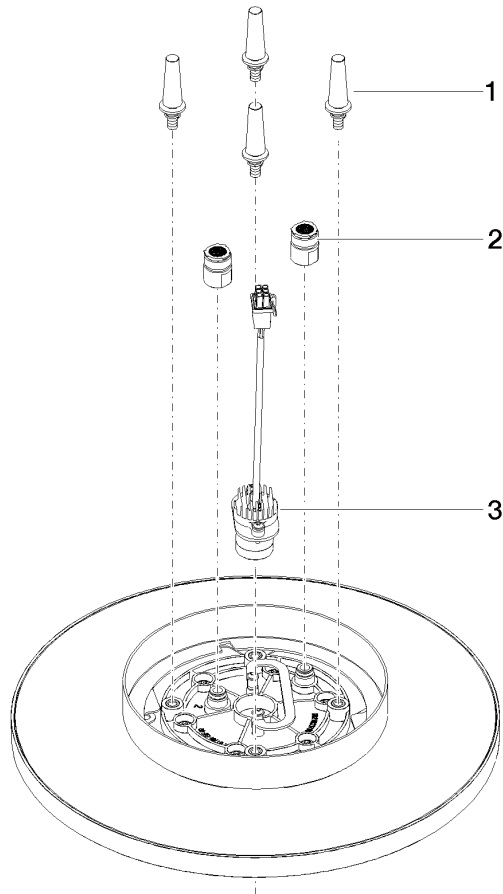
Flow rate chart



Codes & Standards

California Energy
Commission
(CEC)

28 032 970



Spare parts list

| No. | Item Number | Name | Quantity used | Delivery time |
|-----|--------------------|------------------------|---------------|---------------|
| 1 | 90 17 20 263 00 90 | fixing set | 1 | 2 |
| 2 | 90 24 03 309 02 90 | connection | 2 | 2 |
| 3 | 90 10 01 225 00 90 | electronic accessories | 1 | 2 |