

28 044 980



Fits: IMO, LULU, MEM, CL.1, CYO

- rain shower 300 x 240mm
- PURE RAIN, max. flow rate 6.8 l/min (at 3 bar)
- PURIFY RAIN, max. flow rate 6 l/min (at 3 bar)
- min. recess depth 137 mm
- with anti-scale system
- central RGBW LED spot
- RGBW LED ambient lighting
- This product can help a building meet the requirements of Green Building Rating Systems, e.g. LEED®, BREEAM®, DGNB
- Not suitable for use in a steam room.

Three-way diverter trim is sold separately

Pre-assembly kit for three-way diverter included

includes light bulbs with a Class G energy efficiency

Three-way diverter trim is sold separately

Pre-assembly kit for three-way diverter included

includes light bulbs with a Class G energy efficiency

	Chrome	28 044 980-00 0010
	Brushed Platinum	28 044 980-06 0010
	Platinum	28 044 980-08 0010
	Dark Chrome	28 044 980-19 0010
	Brushed Durabrass (23kt Gold)	28 044 980-28 0010
	Matte Black	28 044 980-33 0010
	Brushed Champagne (22kt Gold)	28 044 980-46 0010
	Champagne (22kt Gold)	28 044 980-47 0010
	Brushed Chrome	28 044 980-93 0010
	Brushed Dark Platinum	28 044 980-99 0010

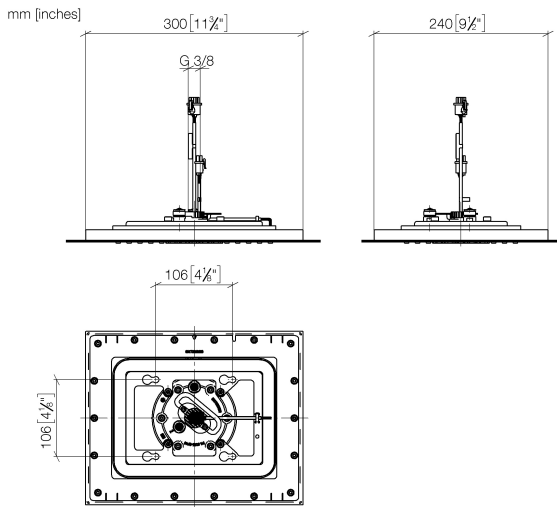
Required miscellaneous



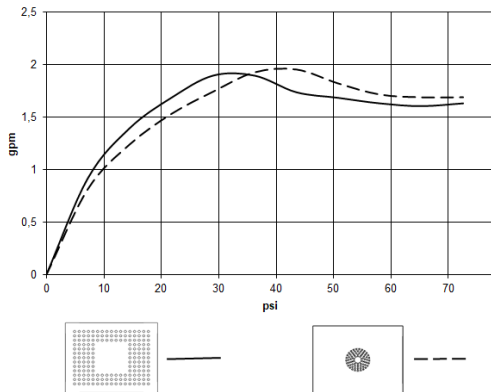
Concealed ceiling installation box for recessed ceiling installation with light - 35 044 970-90 0010

- To be provided by the customer. Zigbee Gateway!
- recess depth 137mm
- Pre-assembly kit for three-way diverter included

28 044 980



Flow rate chart



Codes & Standards

California Energy
Commission
(CEC)

Water Sense





Rain shower for recessed ceiling installation with light 300 x 240 mm - Chrome

IMO

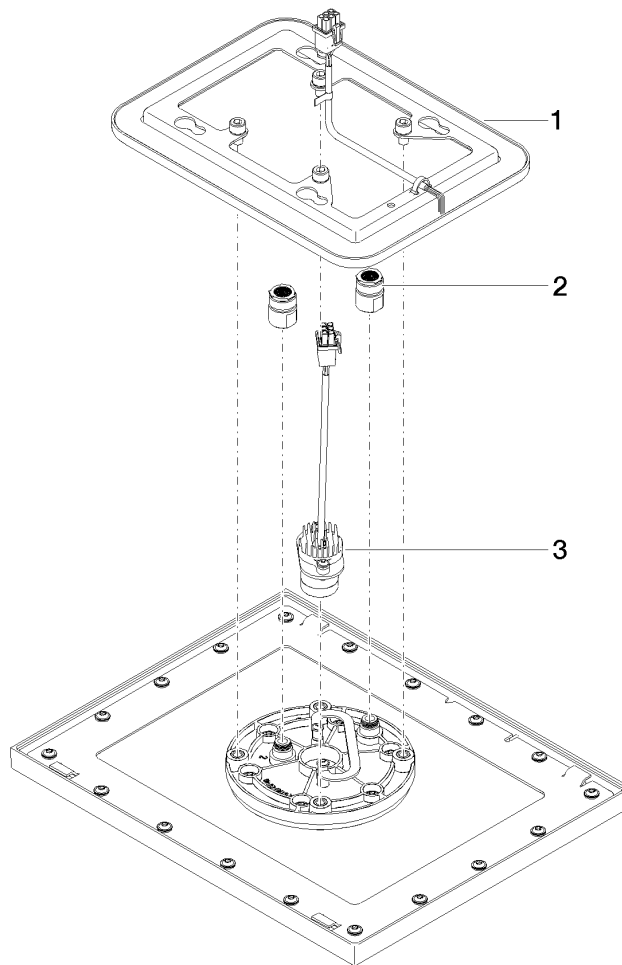
28 044 980

Certificates

IAPMO_11777.

IAPMO_4976 (7).

28 044 980



Spare parts list

No.	Item Number	Name	Quantity used	Delivery time
1	90 10 01 224 00 90	electronic accessories	1	2
2	90 24 03 309 02 90	connection	2	2
3	90 10 01 225 00 90	electronic accessories	1	2