

Shower head - Brushed Platinum

IMO

28 504 670



Fits: IMO, MEM, CL.1, CYO

- 180-210mm projection
- ball-joint pivotable through 30°
- PURIFY RAIN, max. flow rate 6.8 l/min (at 3 bar)
- with anti-scale system
- spray head Ø 100mm
- rosette 60 x 60 mm
- 1/2" connection
- Function from: 5.5 l/min
- This product reduces water consumption by % (compared to requirements of EPAAct '92)
- This product can help a building meet the requirements of Green Building Rating Systems, e.g. LEED®, BREEAM®, DGNB

| | | |
|--|--------------------------------|--------------------|
|  | Brushed Platinum | 28 504 670-06 0010 |
|  | Chrome | 28 504 670-00 0010 |
|  | Platinum | 28 504 670-08 0010 |
|  | Dark Chrome | 28 504 670-19 0010 |
|  | Brushed Light Gold | 28 504 670-27 0010 |
|  | Brushed Durabronze (23kt Gold) | 28 504 670-28 0010 |
|  | Matte Black | 28 504 670-33 0010 |
|  | Brushed Champagne (22kt Gold) | 28 504 670-46 0010 |
|  | Champagne (22kt Gold) | 28 504 670-47 0010 |
|  | Brushed Chrome | 28 504 670-93 0010 |
|  | Brushed Dark Platinum | 28 504 670-99 0010 |

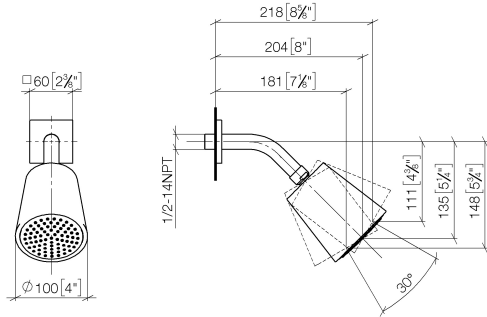


Shower head - Brushed Platinum

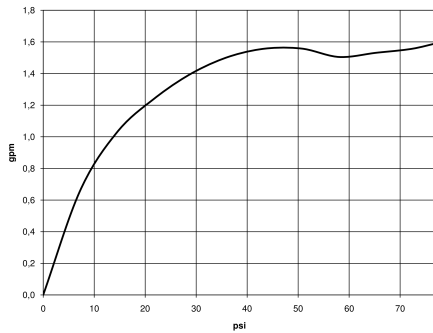
IMO

28 504 670

mm [inches]



Flow rate chart



Codes & Standards

ASME
A112.18.1/CSA
B125.1

California Energy
Commission
(CEC)

Water Sense





Shower head - Brushed Platinum

IMO

28 504 670

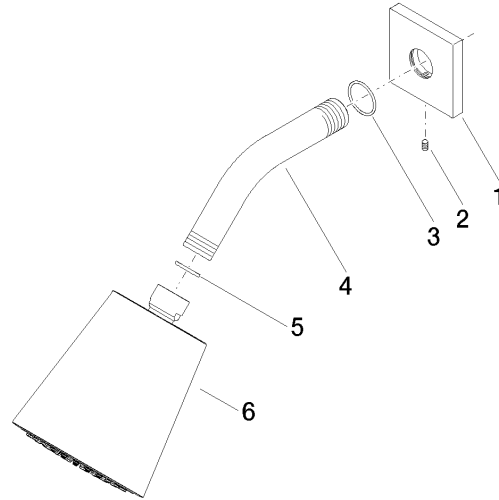
Certificates

IAPMO_11777.

IAPMO_4976 (4).

28 504 670

Parts for other finishes can be found here: [Chrome](#)



Spare parts list

| No. | Item Number | Name | Quantity used | Delivery time |
|-----|--------------------|------------|---------------|---------------|
| 1 | 09 27 98 003-06 | rosette | 1 | 10 |
| 2 | 09 31 11 048 90 | pin | 1 | 2 |
| 3 | 90 14 10 026 00 90 | seal | 1 | 2 |
| 4 | 09 11 03 011-06 | connection | 1 | 10 |
| 5 | 90 14 20 002 00 90 | seal | 1 | 2 |
| 6 | 90 12 05 054 01-06 | shower | 1 | 10 |