

28 504 670



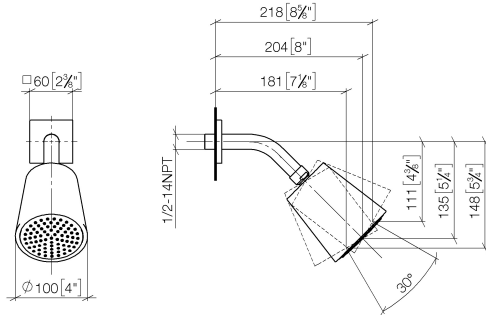
Fits: IMO, MEM, CL.1, CYO

- 180-210mm projection
- ball-joint pivotable through 30°
- PURIFY RAIN, max. flow rate 6.8 l/min (at 3 bar)
- with anti-scale system
- spray head Ø 100mm
- rosette 60 x 60 mm
- 1/2" connection
- Function from: 5.5 l/min
- This product reduces water consumption by % (compared to requirements of EPAct '92)
- This product can help a building meet the requirements of Green Building Rating Systems, e.g. LEED®, BREEAM®, DGNB

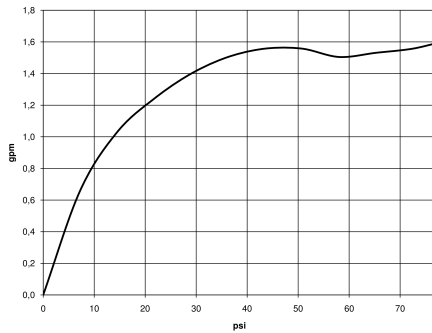
|  |                                |                    |
|--|--------------------------------|--------------------|
|    | Platinum                       | 28 504 670-08 0010 |
|    | Chrome                         | 28 504 670-00 0010 |
|    | Brushed Platinum               | 28 504 670-06 0010 |
|    | Dark Chrome                    | 28 504 670-19 0010 |
|    | Brushed Light Gold             | 28 504 670-27 0010 |
|    | Brushed Durabronze (23kt Gold) | 28 504 670-28 0010 |
|    | Matte Black                    | 28 504 670-33 0010 |
|    | Brushed Champagne (22kt Gold)  | 28 504 670-46 0010 |
|    | Champagne (22kt Gold)          | 28 504 670-47 0010 |
|   | Brushed Chrome                 | 28 504 670-93 0010 |
|  | Brushed Dark Platinum          | 28 504 670-99 0010 |

28 504 670


mm [inches]



Flow rate chart



Codes & Standards

|                |                           |                                    |   |
|----------------|---------------------------|------------------------------------|---|
| ASME A112.18.1 | ASME A112.18.1/CSA B125.1 | California Energy Commission (CEC) | cUPC  |
| EPA WaterSense | Water Sense               | WaterSense                         |  |



## Shower head - Platinum

---

IMO

28 504 670

### Certificates

---

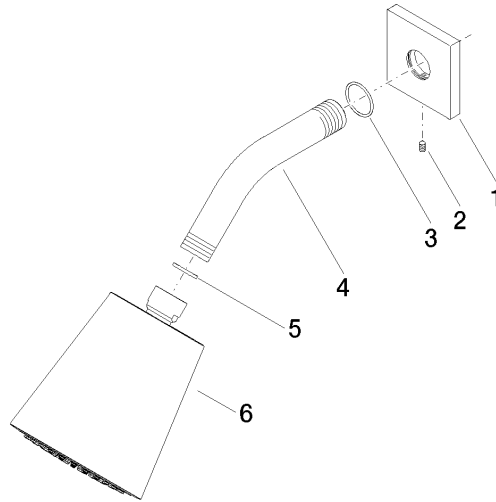
IAPMO\_4976

IAPMO\_11

28 504 670

**Product version from 6/1/2024**

Parts for other  
finishes can be found  
here: [Chrome](#)





## Shower head - Platinum

IMO

28 504 670

### Spare parts list

#### Product version from 6/1/2024

| No. | Item Number     | Name    | Quantity used | Delivery time |
|-----|-----------------|---------|---------------|---------------|
|     | 09 27 98 003-08 | rosette | 6             | 40            |