

**Shower head FlowReduce - Brushed Light Gold**

IMO

28 508 980

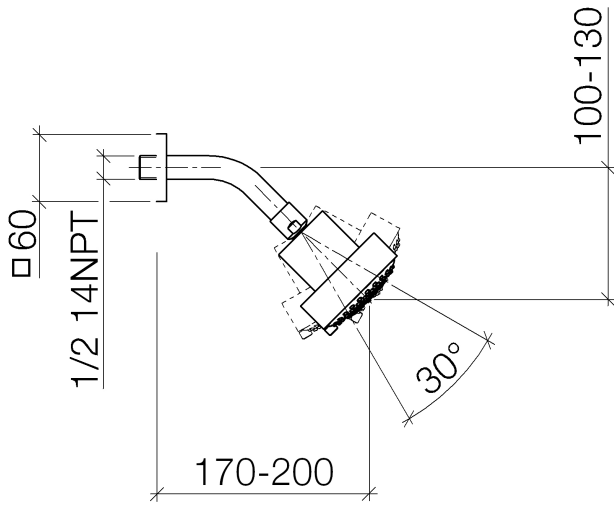


Fits: IMO, MEM, CL.1, CYO

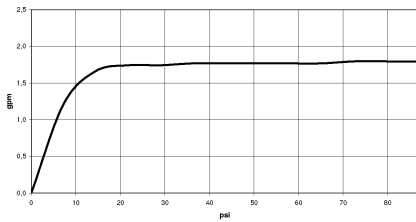
- 200mm projection
- ball-joint pivotable through 30°
- Three settings: PURIFY RAIN, COMPACT SOFT FLOW, COMPACT AQUAPRESSURE FLOW, max. flow rate 6.8 l/min (at 3 bar)
- with anti-scale system
- spray head Ø 92mm
- rosette 60 x 60 mm
- 1/2" connection
- This product reduces water consumption by % (compared to requirements of EPAAct '92)
- This product can contribute to Water Use Reduction in LEED® Green Building Rating
- This product can help a building meet the requirements of Green Building Rating Systems, e.g. LEED®, BREEAM®, DGNB

|  |                                |                    |
|--|--------------------------------|--------------------|
|    | Brushed Light Gold             | 28 508 980-27 0010 |
|    | Chrome                         | 28 508 980-00 0010 |
|    | Brushed Platinum               | 28 508 980-06 0010 |
|    | Platinum                       | 28 508 980-08 0010 |
|    | Dark Chrome                    | 28 508 980-19 0010 |
|    | Brushed Durabronze (23kt Gold) | 28 508 980-28 0010 |
|    | Matte Black                    | 28 508 980-33 0010 |
|    | Brushed Champagne (22kt Gold)  | 28 508 980-46 0010 |
|   | Champagne (22kt Gold)          | 28 508 980-47 0010 |
|  | Brushed Chrome                 | 28 508 980-93 0010 |
|  | Brushed Dark Platinum          | 28 508 980-99 0010 |

28 508 980



Flow rate chart



Codes & Standards

ASME  
A112.18.1/CSA  
B125.1

California Energy  
Commission  
(CEC)

DIN 4109

ISO 3822

Ü-Zeichen



## Shower head FlowReduce - Brushed Light Gold

---

IMO

28 508 980

Certificates

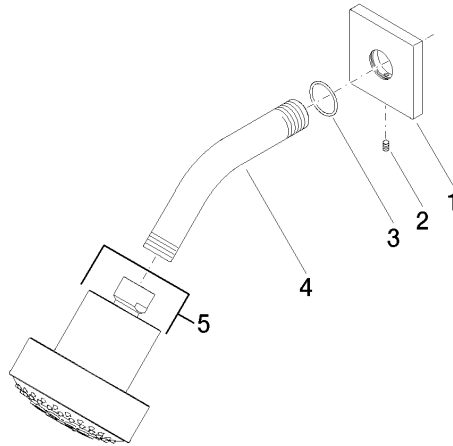
---

LGA\_38

28 508 980

**Product version from 5/15/2020**

Parts for other  
finishes can be found  
here: [Chrome](#)





## Shower head FlowReduce - Brushed Light Gold

---

IMO

28 508 980

### **Spare parts list**

**Product version from 5/15/2020**