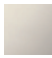

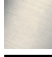




28 545 977



- 435mm projection
- Rain shower: PURE RAIN, max. flow rate 6.8 l/min (at 3 bar)
- with anti-scale system
- rain shower Ø 200 mm
- rosette Ø 55 mm
- 1/2" connection
- This product reduces water consumption by % (compared to requirements of EPAct '92)
- This product can help a building meet the requirements of Green Building Rating Systems, e.g. LEED®, BREEAM®, DGNB

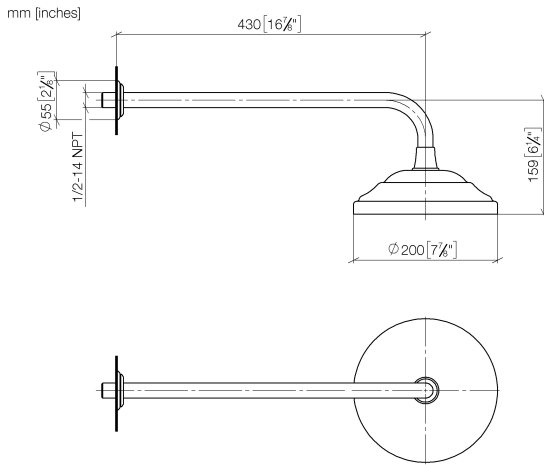
| | | |
|---|-------------------------------|--------------------|
|  | Platinum | 28 545 977-08 0010 |
|  | Chrome | 28 545 977-00 0010 |
|  | Brushed Platinum | 28 545 977-06 0010 |
|  | Durabrace (23kt Gold) | 28 545 977-09 0010 |
|  | Brushed Durabrace (23kt Gold) | 28 545 977-28 0010 |
|  | Brushed Dark Platinum | 28 545 977-99 0010 |

Required miscellaneous

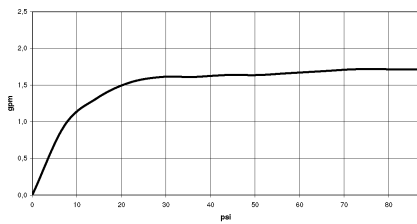


- Concealed wall elbow -** 35 085 970-90
- max. recess depth 163 mm 0010
 - min. recess depth 90 mm

28 545 977



Flow rate chart



Codes & Standards

ASME
A112.18.1/CSA
B125.1

California Energy
Commission
(CEC)

Water Sense





MADISON Rain shower with wall fixing 200 mm - Platinum

MADISON

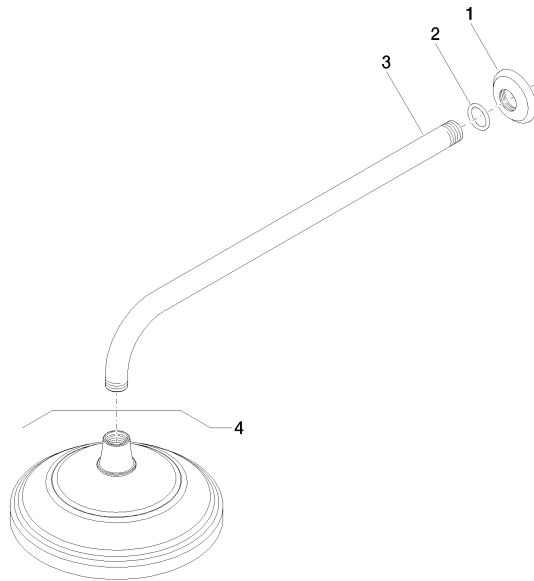
28 545 977

Certificates

IAPMO_11777.

IAPMO_4976 (2).

28 545 977



Spare parts list

| No. | Item Number | Name | Quantity used | Delivery time |
|-----|--------------------|------------|---------------|---------------|
| 1 | 09 27 35 003-08 | rosette | 1 | 40 |
| 2 | 90 14 10 026 00 90 | seal | 1 | 2 |
| 3 | 09 11 03 017-08 | connection | 1 | 40 |
| 4 | 28 535 977-08 0010 | shower | 1 | - |

Spare part can no longer be ordered, please order the replacement item