

Rain shower with wall fixing 220 mm - Platinum

IMO

28 649 670




Fits: IMO, CYO

- 450mm projection
- PURE RAIN, max. flow rate 6.8 l/min (at 3 bar)
- Function from: 6 l/min
- with anti-scale system
- rain shower Ø 220 mm
- rosette 65 x 65 mm
- 1/2" connection
- quick clearing
- This product reduces water consumption by % (compared to requirements of EPAAct '92)
- This product can contribute to Water Use Reduction in LEED® Green Building Rating
- This product can help a building meet the requirements of Green Building Rating Systems, e.g. LEED®, BREEAM®, DGNB

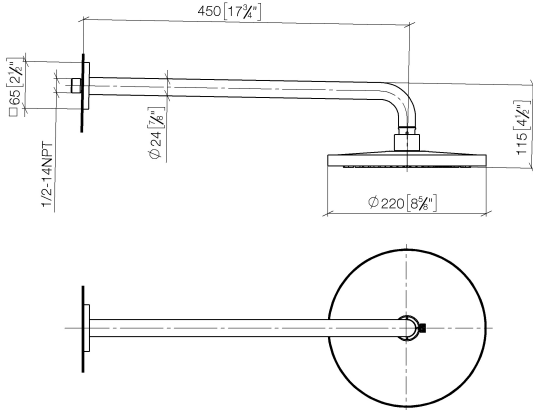
| | | |
|---|--------------------------------|--------------------|
|  | Platinum | 28 649 670-08 0010 |
|  | Chrome | 28 649 670-00 0010 |
|  | Brushed Platinum | 28 649 670-06 0010 |
|  | Dark Chrome | 28 649 670-19 0010 |
|  | Brushed Light Gold | 28 649 670-27 0010 |
|  | Brushed Durabronze (23kt Gold) | 28 649 670-28 0010 |
|  | Matte Black | 28 649 670-33 0010 |
|  | Brushed Champagne (22kt Gold) | 28 649 670-46 0010 |
|  | Champagne (22kt Gold) | 28 649 670-47 0010 |
|  | Brushed Chrome | 28 649 670-93 0010 |
|  | Brushed Dark Platinum | 28 649 670-99 0010 |

Required miscellaneous

| | | |
|---|--|-----------------------|
|  | Concealed wall elbow - •max. recess depth 163 mm •min. recess depth 90 mm | 35 085 970-90 0010 |
|---|--|-----------------------|

28 649 670

mm [inches]



Flow rate chart



Codes & Standards

ASME
A112.18.1/CSA
B125.1

California Energy
Commission
(CEC)

Water Sense





Rain shower with wall fixing 220 mm - Platinum

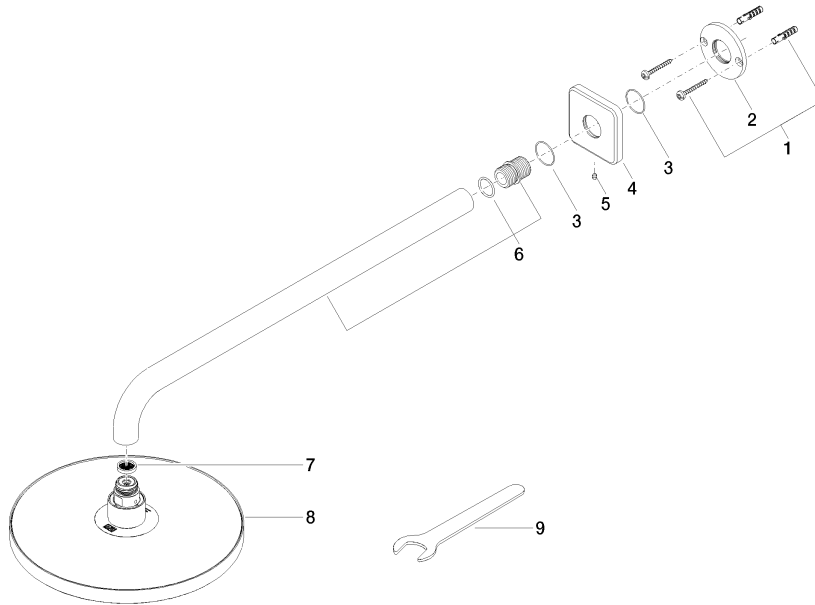
IMO

28 649 670

Certificates

IAPMO_11777.

28 649 670



Spare parts list

| No. | Item Number | Name | Quantity used | Delivery time |
|-----|--------------------|------------|---------------|---------------|
| 1 | 04 30 31 032 00 90 | fixing set | 1 | 2 |
| 2 | 09 17 20 120 90 | holder | 1 | 2 |
| 3 | 09 14 10 150 90 | seal | 2 | 2 |
| 4 | 09 27 67 015-08 | rosette | 1 | 40 |
| 5 | 90 31 11 038 00 90 | pin | 1 | 2 |
| 6 | 90 11 03 070 00-08 | pipe | 1 | 40 |
| 7 | 09 23 01 075 90 | insert | 1 | 2 |
| 8 | 04 12 05 092 10-08 | shower | 1 | 40 |
| 9 | 90 30 09 069 00 90 | key | 1 | 2 |