

## Rain shower with wall fixing 220 mm - Brushed Dark Platinum

IMO

28 649 670



Fits: IMO, CYO

- 450mm projection
- PURE RAIN, max. flow rate 6.8 l/min (at 3 bar)
- Function from: 6 l/min
- with anti-scale system
- rain shower Ø 220 mm
- rosette 65 x 65 mm
- 1/2" connection
- quick clearing
- This product reduces water consumption by % (compared to requirements of EPAAct '92)
- This product can contribute to Water Use Reduction in LEED® Green Building Rating
- This product can help a building meet the requirements of Green Building Rating Systems, e.g. LEED®, BREEAM®, DGNB

	Brushed Dark Platinum	28 649 670-99 0010
	Chrome	28 649 670-00 0010
	Brushed Platinum	28 649 670-06 0010
	Platinum	28 649 670-08 0010
	Dark Chrome	28 649 670-19 0010
	Brushed Light Gold	28 649 670-27 0010
	Brushed Durabronze (23kt Gold)	28 649 670-28 0010
	Matte Black	28 649 670-33 0010
	Brushed Champagne (22kt Gold)	28 649 670-46 0010
	Champagne (22kt Gold)	28 649 670-47 0010
	Brushed Chrome	28 649 670-93 0010

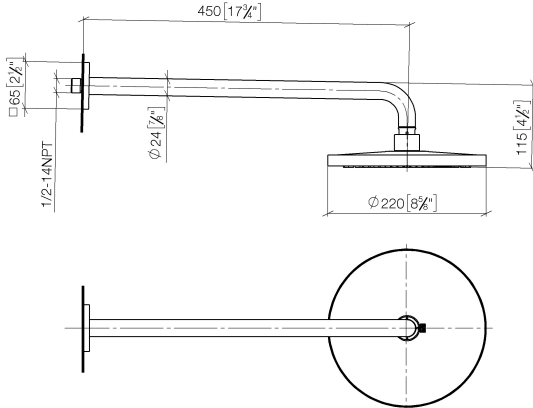
### Required miscellaneous



- Concealed wall elbow -** 35 085 970-90  
 •max. recess depth 163 mm 0010  
 •min. recess depth 90 mm

28 649 670

mm [inches]



Flow rate chart



Codes & Standards

ASME  
A112.18.1/CSA  
B125.1

California Energy  
Commission  
(CEC)

Water Sense





## Rain shower with wall fixing 220 mm - Brushed Dark Platinum

---

IMO

28 649 670

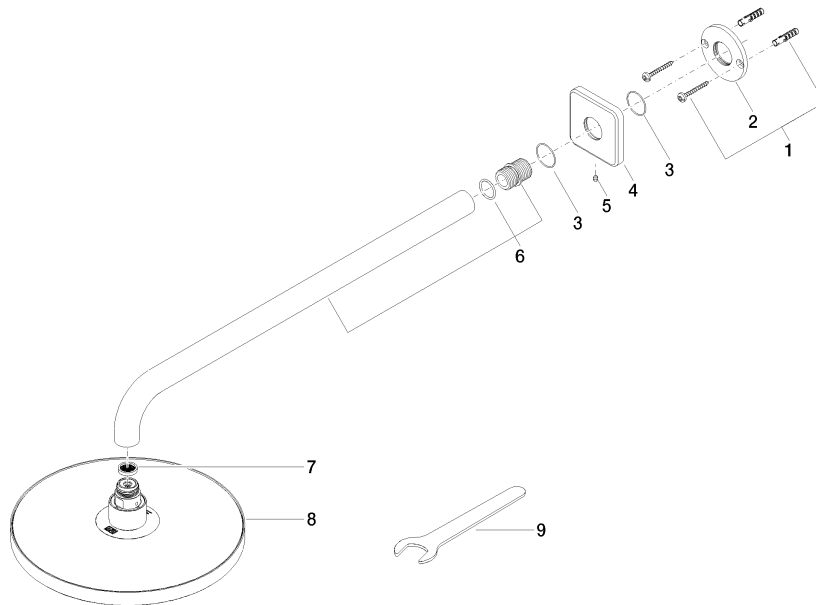
### Certificates

---

IAPMO\_11777.

IAPMO\_4976 (2).

28 649 670



### Spare parts list

No.	Item Number	Name	Quantity used	Delivery time
1	04 30 31 032 00 90	fixing set	1	2
2	09 17 20 120 90	holder	1	2
3	09 14 10 150 90	seal	2	2
4	09 27 67 015-99	rosette	1	30
5	90 31 11 038 00 90	pin	1	2
6	90 11 03 070 00-99	pipe	1	30
7	09 23 01 075 90	insert	1	2
8	04 12 05 092 10-99	shower	1	30
9	90 30 09 069 00 90	key	1	2