

Rain shower with wall fixing 300 x 240 mm - Platinum

MEM

28 765 980



Fits: MEM, CL.1

- 450mm projection
- PURE RAIN, max. flow rate 6.8 l/min (at 3 bar)
- Function from: 6 l/min
- with anti-scale system
- rain shower 300 x 240mm
- rosette 60 x 60 mm
- 1/2" connection
- quick clearing
- This product reduces water consumption by % (compared to requirements of EPAAct '92)
- This product can contribute to Water Use Reduction in LEED® Green Building Rating
- This product can help a building meet the requirements of Green Building Rating Systems, e.g. LEED®, BREEAM®, DGNB

	Platinum	28 765 980-08 0010
	Chrome	28 765 980-00 0010
	Brushed Platinum	28 765 980-06 0010
	Dark Chrome	28 765 980-19 0010
	Brushed Light Gold	28 765 980-27 0010
	Brushed Durabronze (23kt Gold)	28 765 980-28 0010
	Matte Black	28 765 980-33 0010
	Brushed Champagne (22kt Gold)	28 765 980-46 0010
	Champagne (22kt Gold)	28 765 980-47 0010
	Brushed Chrome	28 765 980-93 0010
	Brushed Dark Platinum	28 765 980-99 0010

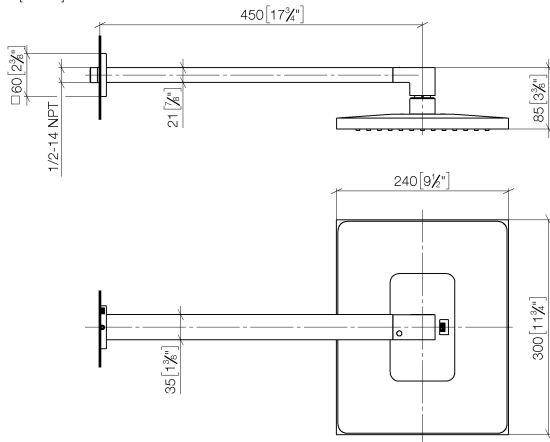
Required miscellaneous



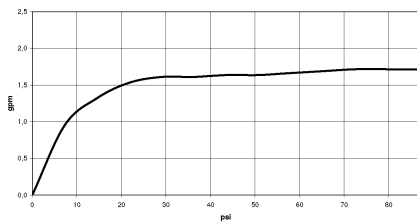
- Concealed wall elbow -** 35 085 970-90
 •max. recess depth 163 mm 0010
 •min. recess depth 90 mm

28 765 980

mm [inches]



Flow rate chart



Codes & Standards

ASME
A112.18.1/CSA
B125.1

California Energy
Commission
(CEC)

Water Sense





Rain shower with wall fixing 300 x 240 mm - Platinum

MEM

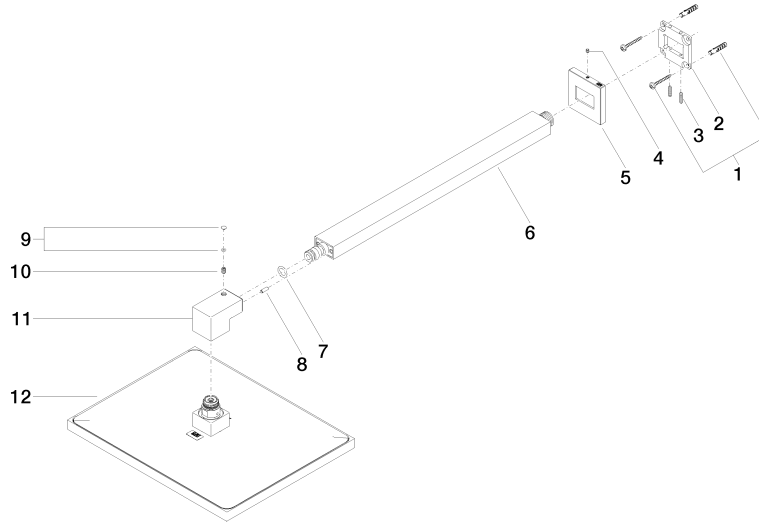
28 765 980

Certificates

IAPMO_11777.

IAPMO_4976 (4).

28 765 980



Spare parts list

No.	Item Number	Name	Quantity used	Delivery time
1	04 30 31 032 00 90	fixing set	1	2
2	09 30 11 160 90	disc	1	2
3	09 31 11 084 90	pin	2	2
4	09 31 11 099 90	pin	1	2
5	09 27 98 016-08	rosette	1	40
6	04 28 22 249 00-08	pipe	1	40
7	90 14 10 011 00 90	seal	1	2
8	09 31 11 040 90	pin	1	2
9	90 31 20 087 00-08	plug	1	40
10	09 31 11 036 90	pin	1	2
11	09 17 01 180-08	connection	1	40
12	04 12 05 063 10-08	shower	1	40