

Rain shower with wall fixing 300 x 240 mm - Brushed Champagne (22kt Gold)

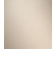








MEM

28 765 980



Fits: MEM, CL.1

- 450mm projection
- PURE RAIN, max. flow rate 6.8 l/min (at 3 bar)
- Function from: 6 l/min
- with anti-scale system
- rain shower 300 x 240mm
- rosette 60 x 60 mm
- 1/2" connection
- quick clearing
- This product reduces water consumption by % (compared to requirements of EPAAct '92)
- This product can contribute to Water Use Reduction in LEED® Green Building Rating
- This product can help a building meet the requirements of Green Building Rating Systems, e.g. LEED®, BREEAM®, DGNB

| | | |
|---|-------------------------------|--------------------|
|  | Brushed Champagne (22kt Gold) | 28 765 980-46 0010 |
|  | Chrome | 28 765 980-00 0010 |
|  | Brushed Platinum | 28 765 980-06 0010 |
|  | Platinum | 28 765 980-08 0010 |
|  | Dark Chrome | 28 765 980-19 0010 |
|  | Brushed Light Gold | 28 765 980-27 0010 |
|  | Brushed Durabrass (23kt Gold) | 28 765 980-28 0010 |
|  | Matte Black | 28 765 980-33 0010 |
|  | Champagne (22kt Gold) | 28 765 980-47 0010 |
|  | Brushed Chrome | 28 765 980-93 0010 |
|  | Brushed Dark Platinum | 28 765 980-99 0010 |

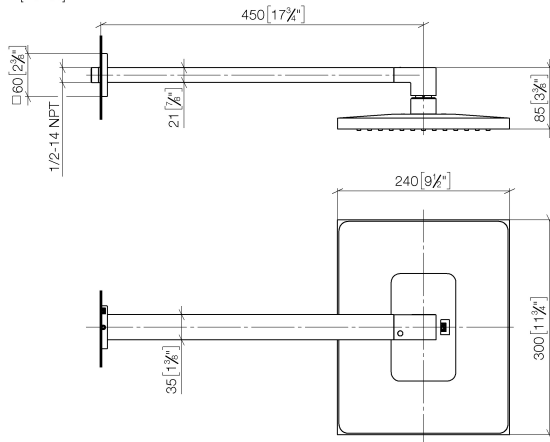
Required miscellaneous



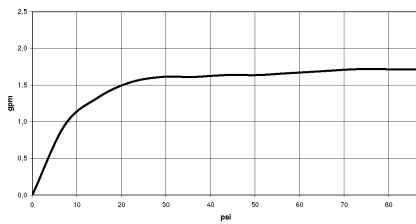
- Concealed wall elbow -** 35 085 970-90
 •max. recess depth 163 mm 0010
 •min. recess depth 90 mm

28 765 980

mm [inches]



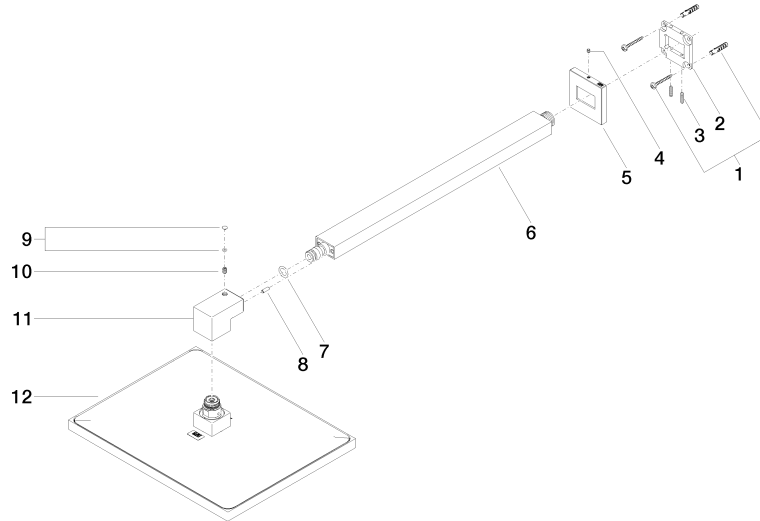
Flow rate chart



Codes & Standards

| | |
|---------------|-------------------|
| ASME | California Energy |
| A112.18.1/CSA | Commission |
| B125.1 | (CEC) |

28 765 980



Spare parts list

| No. | Item Number | Name | Quantity used | Delivery time |
|-----|--------------------|------------|---------------|---------------|
| 1 | 04 30 31 032 00 90 | fixing set | 1 | 2 |
| 2 | 09 30 11 160 90 | disc | 1 | 2 |
| 3 | 09 31 11 084 90 | pin | 2 | 2 |
| 4 | 09 31 11 099 90 | pin | 1 | 2 |
| 5 | 09 27 98 016-46 | rosette | 1 | 30 |
| 6 | 04 28 22 249 00-46 | pipe | 1 | 30 |
| 7 | 90 14 10 011 00 90 | seal | 1 | 2 |
| 8 | 09 31 11 040 90 | pin | 1 | 2 |
| 9 | 90 31 20 087 00-46 | plug | 1 | 30 |
| 10 | 09 31 11 036 90 | pin | 1 | 2 |
| 11 | 09 17 01 180-46 | connection | 1 | 30 |
| 12 | 04 12 05 063 10-46 | shower | 1 | 30 |