

**Rain shower with wall fixing 300 x 240 mm - Brushed Chrome**

MEM

28 765 980



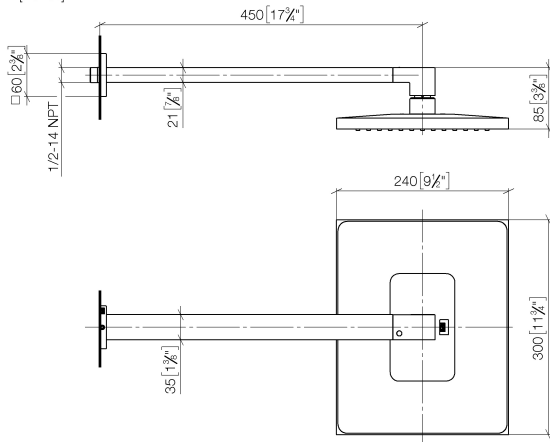
Fits: MEM, CL.1

- 450mm projection
- PURE RAIN, max. flow rate 6.8 l/min (at 3 bar)
- Function from: 6 l/min
- with anti-scale system
- rain shower 300 x 240mm
- rosette 60 x 60 mm
- 1/2" connection
- quick clearing
- This product reduces water consumption by % (compared to requirements of EPAAct '92)
- This product can contribute to Water Use Reduction in LEED® Green Building Rating
- This product can help a building meet the requirements of Green Building Rating Systems, e.g. LEED®, BREEAM®, DGNB

	Brushed Chrome	28 765 980-93 0010
	Chrome	28 765 980-00 0010
	Brushed Platinum	28 765 980-06 0010
	Platinum	28 765 980-08 0010
	Dark Chrome	28 765 980-19 0010
	Brushed Light Gold	28 765 980-27 0010
	Brushed Durabrass (23kt Gold)	28 765 980-28 0010
	Matte Black	28 765 980-33 0010
	Brushed Champagne (22kt Gold)	28 765 980-46 0010
	Champagne (22kt Gold)	28 765 980-47 0010
	Brushed Dark Platinum	28 765 980-99 0010

28 765 980

mm [inches]



Flow rate chart



Codes & Standards

ASME  
A112.18.1/CSA  
B125.1

California Energy  
Commission  
(CEC)

Water Sense





## Rain shower with wall fixing 300 x 240 mm - Brushed Chrome

---

MEM

28 765 980

### Certificates

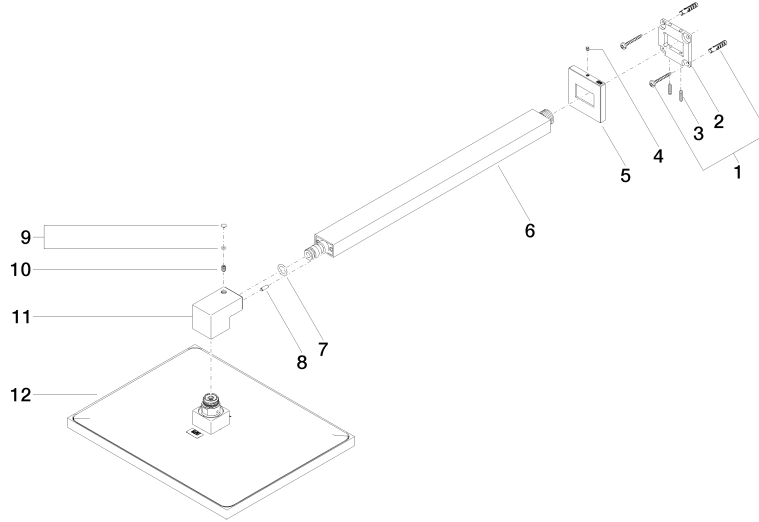
---

IAPMO\_11777.

IAPMO\_4976 (2).

28 765 980

Parts for other finishes can be found here: [Chrome](#)



### Spare parts list

No.	Item Number	Name	Quantity used	Delivery time
1	04 30 31 032 00 90	fixing set	1	2
2	09 30 11 160 90	disc	1	2
3	09 31 11 084 90	pin	2	2
4	09 31 11 099 90	pin	1	2
5	09 27 98 016-93	rosette	1	20
6	04 28 22 249 00-93	pipe	1	20
7	90 14 10 011 00 90	seal	1	2
8	09 31 11 040 90	pin	1	2
9	90 31 20 087 00-93	plug	1	20
10	09 31 11 036 90	pin	1	2
11	09 17 01 180-93	connection	1	20
12	04 12 05 063 10-93	shower	1	20