

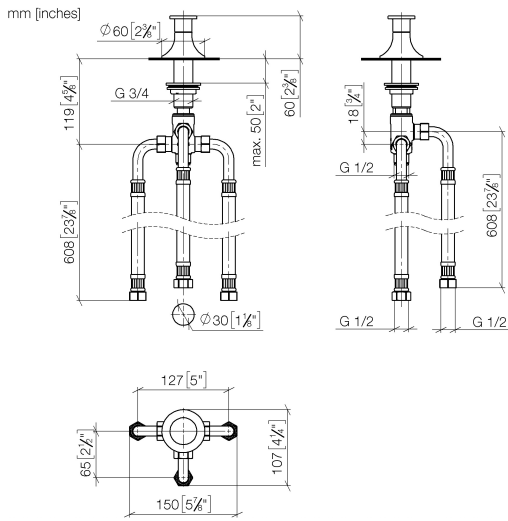
29 140 809



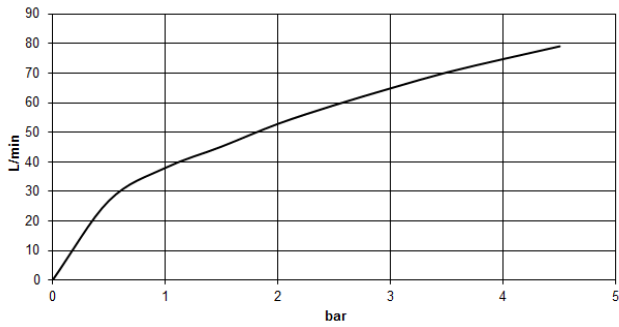
- automatic bath/shower diverter
- hole diameter 30 mm
- rosette Ø 60 mm
- 1/2" connection
- max. flow 64.9 l/min at 3 bar flow pressure
- WRAS 1911025

| | | |
|---|-------------------------------------|---------------|
|  | Chrome | 29 140 809-00 |
|  | Brushed Platinum | 29 140 809-06 |
|  | Platinum | 29 140 809-08 |
|  | Dark Chrome | 29 140 809-19 |
|  | Brushed Durabronze (23kt Gold) | 29 140 809-28 |
|  | Brushed Bronze | 29 140 809-42 |
|  | Brushed Champagne (22kt Gold) | 29 140 809-46 |
|  | Champagne (22kt Gold) | 29 140 809-47 |
|  | Brushed Dark Platinum | 29 140 809-99 |

29 140 809



Flow rate chart



Codes & Standards

ASME
A112.18.1/CSA
B125.1

California Energy
Commission
(CEC)



VAIA Two-way diverter for bath rim or tile edge installation - Chrome

VAIA

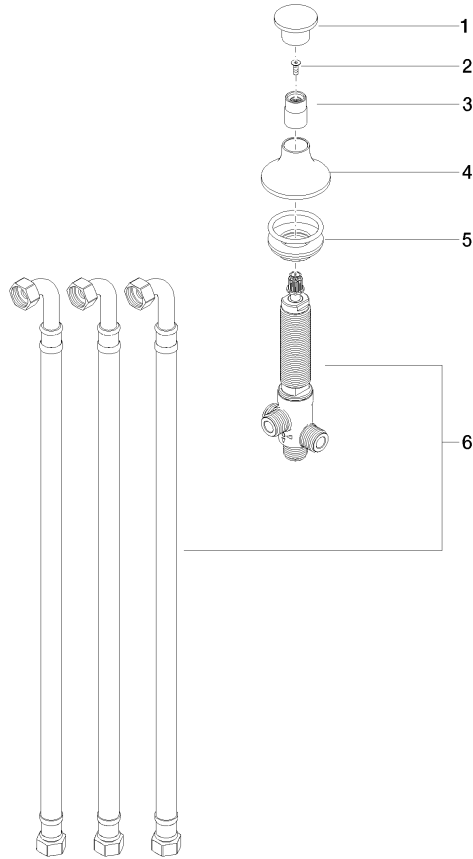
29 140 809

Certificates

WRAS_1911025. LGA_29990. IAPMO_4976 (4).

29 140 809

Parts for other finishes can be found here: [Brushed Platinum](#)



Spare parts list

| No. | Item Number | Name | Quantity used | Delivery time |
|-----|--------------------|------------|---------------|---------------|
| 1 | 09 20 80 016-00 | handle | 1 | 10 |
| 2 | 90 30 30 014 00 90 | screw | 1 | 2 |
| 3 | 09 18 40 214-00 | sleeve | 1 | 10 |
| 4 | 09 27 80 015-00 | rosette | 1 | 10 |
| 5 | 04 23 10 004 03 90 | fixing set | 1 | 2 |
| 6 | 90 17 09 051 00 90 | diverter | 1 | 2 |