

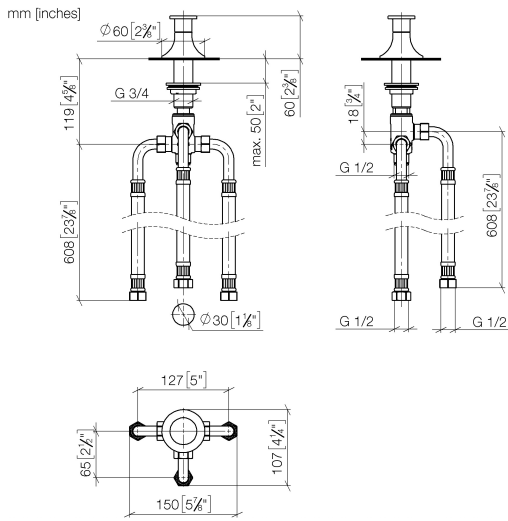
29 140 809



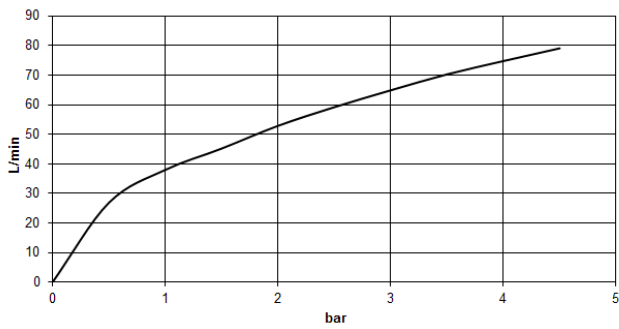
- automatic bath/shower diverter
- hole diameter 30 mm
- rosette Ø 60 mm
- 1/2" connection
- max. flow 64.9 l/min at 3 bar flow pressure
- WRAS 1911025

	Chrome	29 140 809-00
	Brushed Platinum	29 140 809-06
	Platinum	29 140 809-08
	Dark Chrome	29 140 809-19
	Brushed Durabronze (23kt Gold)	29 140 809-28
	Brushed Bronze	29 140 809-42
	Brushed Champagne (22kt Gold)	29 140 809-46
	Champagne (22kt Gold)	29 140 809-47
	Brushed Dark Platinum	29 140 809-99

29 140 809



Flow rate chart



Codes & Standards

ASME A112.18.1/CSA B125.1	California Energy Commission (CEC)
---------------------------------	--



VAIA Two-way diverter for bath rim or tile edge installation - Chrome

VAIA

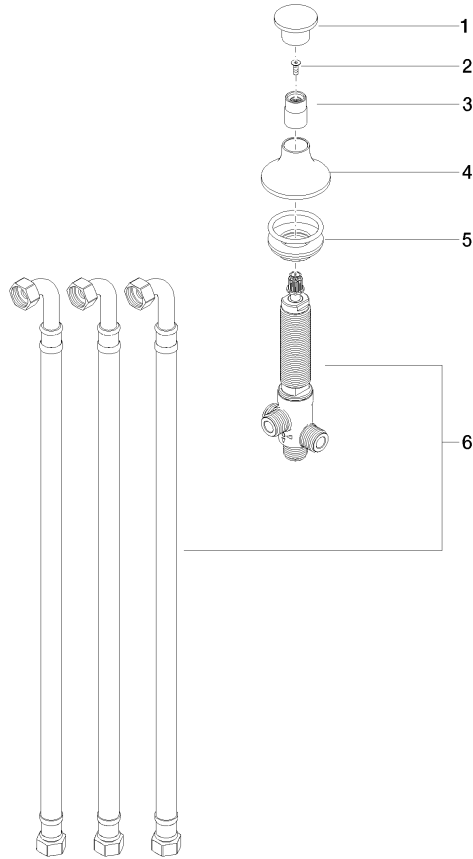
29 140 809

Certificates

WRAS_1911025. LGA_29990. IAPMO_4976 (4).

29 140 809

Parts for other finishes can be found here: [Brushed](#)
[Platinum](#)



Spare parts list

No.	Item Number	Name	Quantity used	Delivery time
1	09 20 80 016-00	handle	1	10
2	90 30 30 014 00 90	screw	1	2
3	09 18 40 214-00	sleeve	1	10
4	09 27 80 015-00	rosette	1	10
5	04 23 10 004 03 90	fixing set	1	2
6	90 17 09 051 00 90	diverter	1	2