

Single-lever bath mixer for bath rim or tile edge installation - Chrome

IMO

29 300 670



- rosette 60 x 60 mm
- hole diameter 35 mm
- max. flow 35.7 l/min at 3 bar flow pressure

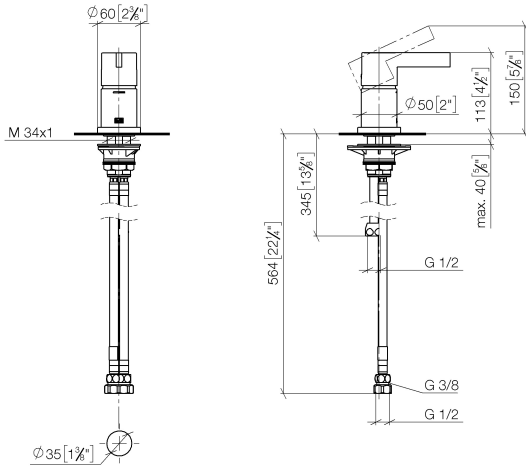
Note: Local building codes may require the use of an anti-scald device. Please refer to remote pressure balance valve (35 910 970 90)

Fits: IMO, MEM, CL.1, CYO

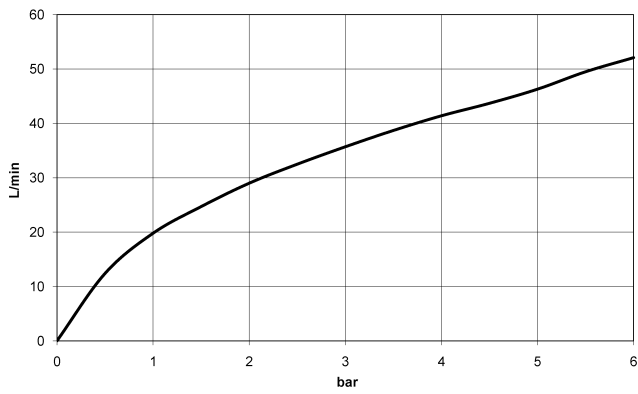
	Chrome	29 300 670-00
	Brushed Platinum	29 300 670-06
	Platinum	29 300 670-08
	Dark Chrome	29 300 670-19
	Brushed Light Gold	29 300 670-27
	Brushed Durabrass (23kt Gold)	29 300 670-28
	Matte Black	29 300 670-33
	Brushed Champagne (22kt Gold)	29 300 670-46
	Champagne (22kt Gold)	29 300 670-47
	Brushed Chrome	29 300 670-93
	Brushed Dark Platinum	29 300 670-99

29 300 670

mm [inches]



Flow rate chart



Codes & Standards

ASME
A112.18.1/CSA
B125.1



Single-lever bath mixer for bath rim or tile edge installation - Chrome

IMO

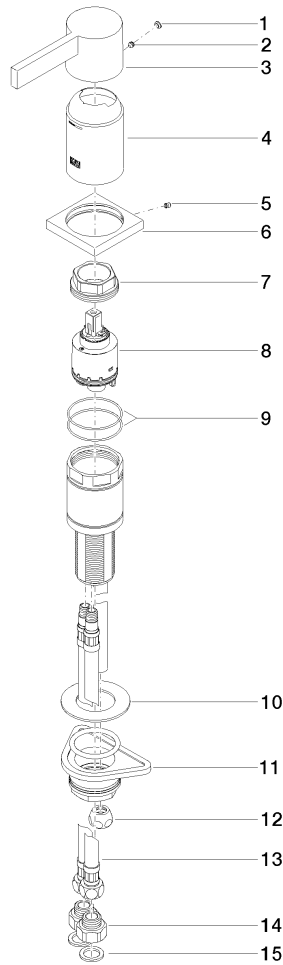
29 300 670

Certificates

IAPMO_4976 (5). LGA_29705. WRAS_2004028.

29 300 670

Parts for other finishes can be found here: Brushed Platinum



Spare parts list

No.	Item Number	Name	Quantity used	Delivery time
1	90 31 20 087 00-00	plug	1	10
2	90 31 11 063 00 90	pin	1	2
3	09 20 67 014-00	handle	1	10
4	09 28 30 037-00	cover	1	10
5	09 31 11 044 90	pin	1	2
6	09 27 67 016-00	rosette	1	10
7	09 24 04 448 90	nut	1	2
8	90 15 05 039 00 90	cartridge	1	2
9	09 14 10 201 90	seal	2	2
10	09 30 11 060 90	disc	1	2
11	04 23 10 044 02 90	fixing set	1	2
12	04 23 30 041 00 90	threaded connector	1	2
13	04 30 04 021 00 90	hose	2	2
14	09 24 03 185-00	nipple	2	10
15	09 14 05 004 90	seal	2	2