

30 010 662



- 126mm projection
- fixed spout
- circular, air-enriched flow
- hole diameter 35 mm
- rosette Ø 60 mm
- max. flow 4.5 l/min
- lead-free
- This product can help a building meet the requirements of Green Building Rating Systems, e.g. LEED®, BREEAM®, DGNB

| | | |
|--|-------------------------------|--------------------|
|  | Brushed Bronze | 30 010 662-42 0010 |
|  | Chrome | 30 010 662-00 0010 |
|  | Brushed Platinum | 30 010 662-06 0010 |
|  | Light Gold | 30 010 662-26 0010 |
|  | Brushed Light Gold | 30 010 662-27 0010 |
|  | Matte Black | 30 010 662-33 0010 |
|  | Brushed Champagne (22kt Gold) | 30 010 662-46 0010 |
|  | Champagne (22kt Gold) | 30 010 662-47 0010 |
|  | Brushed Chrome | 30 010 662-93 0010 |
|  | Brushed Dark Platinum | 30 010 662-99 0010 |

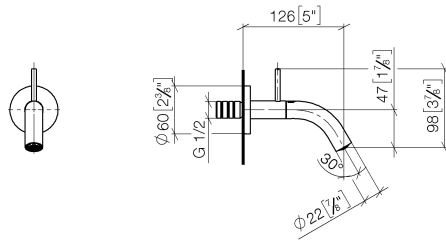
Recommended miscellaneous



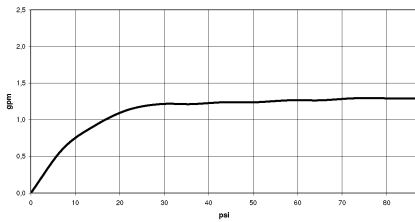
- Concealed wall elbow -** 35 085 970-90
- min. recess depth 90 mm 0010
 - max. recess depth 163 mm

30 010 662

mm [inches]



Flow rate chart



Codes & Standards

California Energy
Commission
(CEC)



META Wall-mounted valve cold water without pop-up waste - Brushed Bronze

META

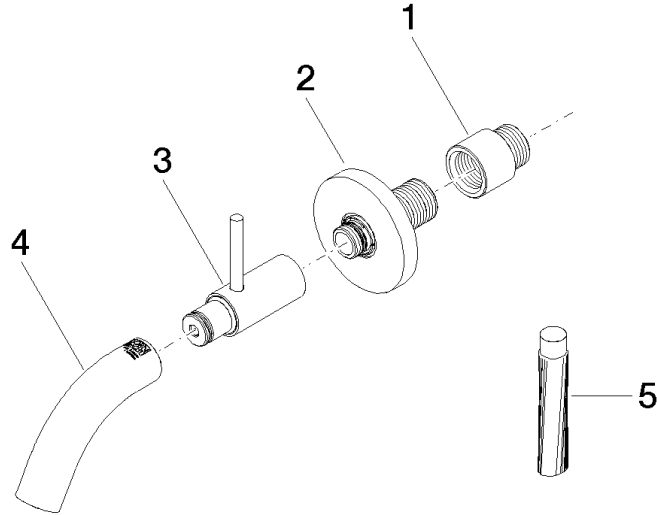
30 010 662

Certificates

IAPMO_N-4976.

IAPMO_6397.

30 010 662



Spare parts list

| No. | Item Number | Name | Quantity used | Delivery time |
|-----|--------------------|---------|---------------|---------------|
| 1 | 09 24 03 072 10 90 | nipple | 1 | 2 |
| 2 | 90 27 66 019 00-42 | rosette | 1 | 30 |
| 3 | 90 20 66 023 00-42 | handle | 1 | 30 |
| 4 | 90 28 22 386 00-42 | spout | 1 | 30 |
| 5 | 09 16 03 001 90 | grease | 1 | 2 |