

**LOT Two-hole mixer with individual rosettes - Chrome**

LOT

32 800 680



- 235mm projection
- pivotable spout 360°
- air-enriched flow
- height of mixer 345 mm
- height up to aerator 319 mm
- individual rosette 55 x 55 mm
- hole diameter spout 35 mm
- single-lever mixer hole diameter 44 mm
- 2 x pressure hose with 3/8" cap nut
- max. flow 5.7 l/min at 3 bar flow pressure
- lead-free
- This product can help a building meet the requirements of Green Building Rating Systems, e.g. LEED®, BREEAM®, DGNB

Operating unit can be positioned freely.

	Chrome	32 800 680-00 0010
	Brushed Platinum	32 800 680-06 0010
	Platinum	32 800 680-08 0010
	Dark Chrome	32 800 680-19 0010
	Brushed Durabronze (23kt Gold)	32 800 680-28 0010
	Brushed Champagne (22kt Gold)	32 800 680-46 0010
	Champagne (22kt Gold)	32 800 680-47 0010
	Brushed Dark Platinum	32 800 680-99 0010

**Recommended miscellaneous**

**AIR SWITCH Control button - Chrome** 10 714 970-00

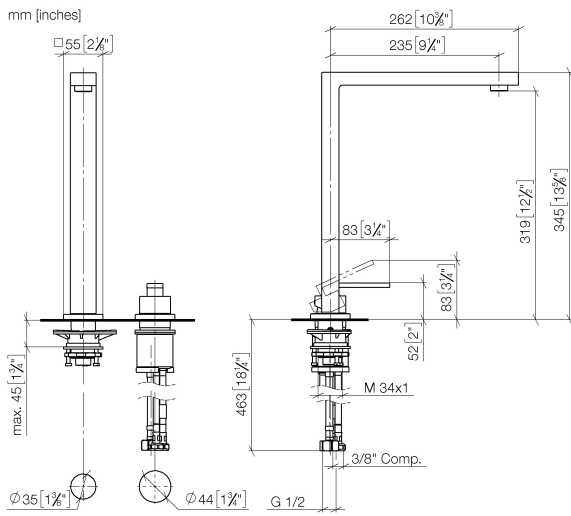


**Recommended miscellaneous**

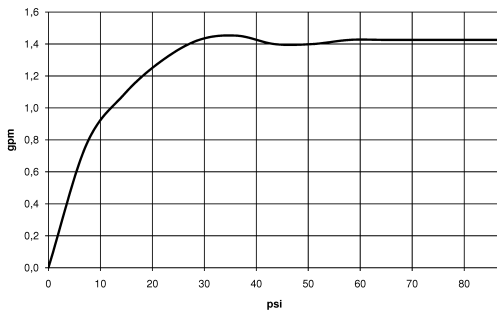
**Dispenser with rosette - Chrome** 82 439 970-00



32 800 680



Flow rate chart



Codes & Standards

ADA

ASME  
A112.18.1/CSA  
B125.1

California Energy  
Commission  
(CEC)

NSF/ANSI 372

NSF/ANSI/CAN  
61



LOT Two-hole mixer with individual rosettes - Chrome

---

LOT

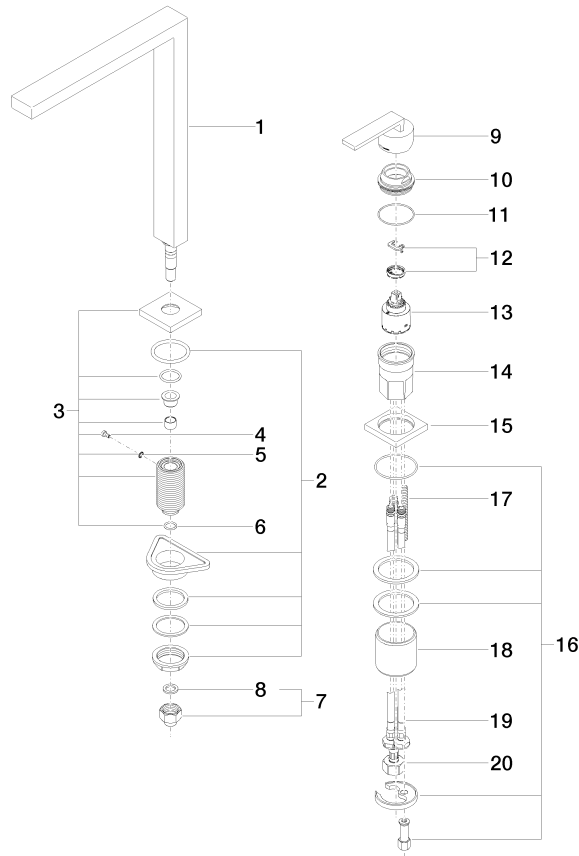
32 800 680

Certificates

---

IAPMO\_N-4976. IAPMO\_4976 (3). IAPMO\_6397.

32 800 680



Spare parts list

No.	Item Number	Name	Quantity used	Delivery time
1	90 11 06 188 08-00	spout	1	10
2	04 23 10 044 01 90	fixing set	1	2
3	90 27 78 023 00-00	rosette	1	10
4	09 30 30 057 90	screw	1	2
5	09 30 11 028 90	disc	1	2
6	90 14 10 077 00 90	seal	1	2
7	04 24 04 166 10 90	nipple	1	2
8	90 14 20 002 00 90	seal	1	2
9	90 20 78 040 00-00	handle	1	10
10	09 24 04 142-00	nut	1	10
11	09 14 10 108 90	seal	1	2
12	90 28 10 148 00 90	accessories	1	2
13	90 15 05 061 00 90	cartridge	1	60
14	09 30 01 100 10 90	sleeve	1	2
15	09 27 78 007-00	rosette	1	10
16	04 30 11 038 02 90	fixing set	1	2
17	09 31 11 011 90	pin	1	2
18	09 18 40 079 90	sleeve	1	2
19	04 30 04 106 00 90	hose	2	2
20	04 30 04 019 00 90	hose	1	2