

LOT Two-hole mixer with individual rosettes - Brushed Durabron (23kt Gold)

LOT

32 800 680



- 235mm projection
 - pivotable spout 360°
 - air-enriched flow
 - height of mixer 345 mm
 - height up to aerator 319 mm
 - individual rosette 55 x 55 mm
 - hole diameter spout 35 mm
 - single-lever mixer hole diameter 44 mm
 - 2 x pressure hose with 3/8" cap nut
 - max. flow 5.7 l/min at 3 bar flow pressure
 - lead-free
 - This product can help a building meet the requirements of Green Building Rating Systems, e.g. LEED®, BREEAM®, DGNB
- Operating unit can be positioned freely.

	Brushed Durabron (23kt Gold)	32 800 680-28 0010
	Chrome	32 800 680-00 0010
	Brushed Platinum	32 800 680-06 0010
	Platinum	32 800 680-08 0010
	Dark Chrome	32 800 680-19 0010
	Brushed Champagne (22kt Gold)	32 800 680-46 0010
	Champagne (22kt Gold)	32 800 680-47 0010
	Brushed Dark Platinum	32 800 680-99 0010

Recommended miscellaneous

AIR SWITCH Control button - 10 714 970-28
Brushed Durabron (23kt Gold)



Recommended miscellaneous

Dispenser with rosette - Brushed 82 439 970-28
Durabron (23kt Gold)

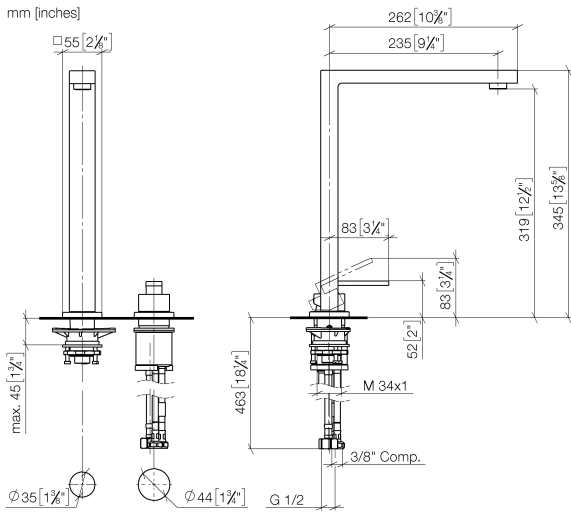




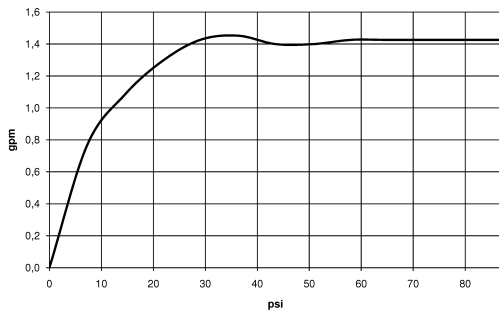
LOT Two-hole mixer with individual rosettes - Brushed Durabron (23kt Gold)

LOT

32 800 680



Flow rate chart



Codes & Standards

ADA	ASME A112.18.1/CSA B125.1	California Energy Commission (CEC)	NSF/ANSI 372
NSF/ANSI/CAN 61	NSF372	NSF61	



LOT Two-hole mixer with individual rosettes - Brushed Durabronz (23kt Gold)

LOT

32 800 680

Certificates

IAPMO_N-4

IAPMO_6

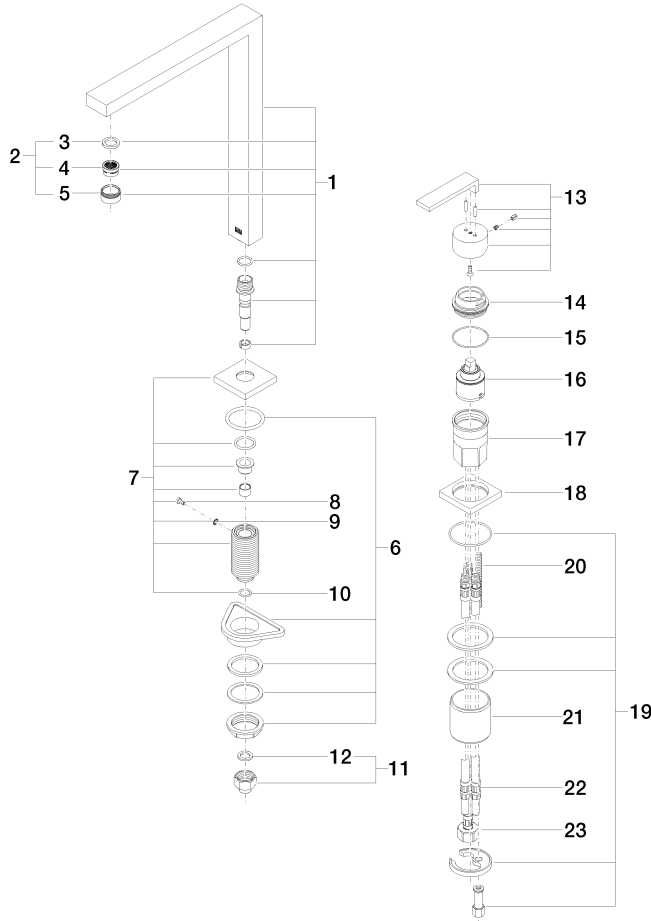
32 800 680

Product version from 5/31/2010 to 5/10/2021

Product version from 5/10/2021

Product version from 6/1/2022

Parts for other finishes can be found here: [Chrome](#)





LOT Two-hole mixer with individual rosettes - Brushed Durabronz (23kt Gold)

LOT

32 800 680

Spare parts list

Product version from 5/31/2010 to 5/10/2021

Product version from 5/10/2021

Product version from 6/1/2022