

32 800 790



- 235mm projection
- pivotable spout 360°
- spout, end-piece with 20° rotation
- air-enriched flow
- height of mixer 337 mm
- height up to aerator 297 mm
- individual rosettes Ø 55mm
- hole diameter spout 35 mm
- single-lever mixer hole diameter 35 mm
- 2 x pressure hose with 3/8" cap nut
- max. flow 5.7 l/min at 3 bar flow pressure
- lead-free
- This product can help a building meet the requirements of Green Building Rating Systems, e.g. LEED®, BREEAM®, DGNB

Operating unit can be positioned freely.

	Champagne (22kt Gold)	32 800 790-47 0010
	Chrome	32 800 790-00 0010
	Brushed Platinum	32 800 790-06 0010
	Platinum	32 800 790-08 0010
	Dark Chrome	32 800 790-19 0010
	Brushed Durabronze (23kt Gold)	32 800 790-28 0010
	Brushed Champagne (22kt Gold)	32 800 790-46 0010
	Brushed Chrome	32 800 790-93 0010
	Brushed Dark Platinum	32 800 790-99 0010

**Recommended miscellaneous**

**Dispenser with rosette - Champagne (22kt Gold)**

82 444 970-47



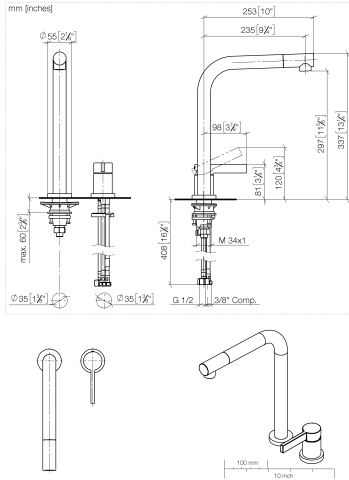
**Recommended miscellaneous**

**AIR SWITCH Control button - Champagne (22kt Gold)**

10 713 970-47



32 800 790



**Flow rate chart**



**Codes & Standards**

ADA

ASME  
A112.18.1/CSA  
B125.1

California Energy  
Commission  
(CEC)

NSF/ANSI 372

NSF/ANSI/CAN  
61



ELIO Two-hole mixer with individual rosettes - Champagne (22kt Gold)

---

ELIO

32 800 790

Certificates

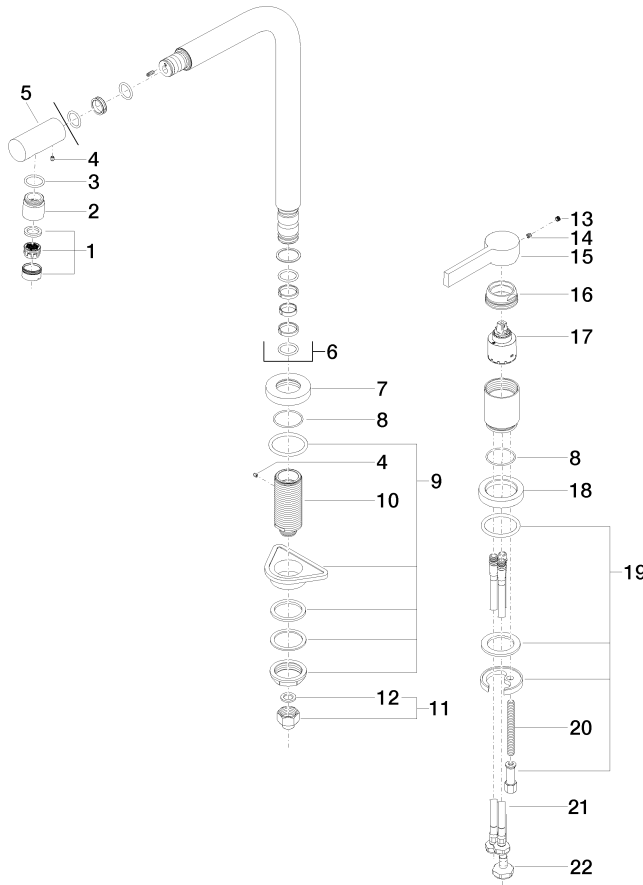
---

IAPMO\_N-4976.

IAPMO\_6397.

32 800 790

Parts for other finishes can be found here: [Chrome](#)





## ELIO Two-hole mixer with individual rosettes - Champagne (22kt Gold)

ELIO

32 800 790

### Spare parts list

No.	Item Number	Name	Quantity used	Delivery time
1	90 23 01 026 08-47	aerator	1	30
2	09 24 04 164 10-47	nipple	1	30
3	09 14 10 100 90	seal	1	2
4	09 31 11 044 90	pin	2	2
5	09 24 04 163 10-47	nipple	1	30
6	90 28 22 188 00-47	spout	1	30
7	09 27 79 001-47	rosette	1	30
8	09 14 10 102 90	seal	2	2
9	04 23 10 044 01 90	fixing set	1	2
10	09 30 01 094 10-47	adaptor	1	-
Spare part can no longer be ordered, please order the replacement item				
11	04 24 04 166 10 90	nipple	1	2
12	90 14 20 002 00 90	seal	1	2
13	90 31 20 109 00 90	plug	1	2
14	90 31 11 030 00 90	pin	1	2
15	09 20 79 040-47	handle	1	30
16	09 24 04 141-47	nut	1	30
17	90 15 05 045 00 90	cartridge	1	2
18	09 28 10 111-47	rosette	1	60
19	04 30 11 038 00 90	fixing set	1	2
20	09 31 11 011 90	pin	1	2
21	04 30 04 106 00 90	hose	2	2
22	04 30 04 019 00 90	hose	1	2