



LOT BAR TAP Two-hole mixer with individual rosettes - Champagne (22kt Gold)

LOT

32 805 680



- 165mm projection
- pivotable spout 360°
- air-enriched flow
- height of mixer 230 mm
- height up to laminar flow regulator 205 mm
- individual rosette 55 x 55 mm
- hole diameter spout 35 mm
- single-lever mixer hole diameter 44 mm
- 2 x pressure hose with 3/8" cap nut
- max. flow 5.7 l/min at 3 bar flow pressure
- lead-free
- This product can help a building meet the requirements of Green Building Rating Systems, e.g. LEED®, BREEAM®, DGNB

Operating unit can be positioned freely.

	Champagne (22kt Gold)	32 805 680-47 0010
	Chrome	32 805 680-00 0010
	Brushed Platinum	32 805 680-06 0010
	Platinum	32 805 680-08 0010
	Dark Chrome	32 805 680-19 0010
	Brushed Durabronz (23kt Gold)	32 805 680-28 0010
	Brushed Champagne (22kt Gold)	32 805 680-46 0010
	Brushed Dark Platinum	32 805 680-99 0010

Recommended miscellaneous

Dispenser with rosette - Champagne (22kt Gold)

82 439 970-47



Recommended miscellaneous

AIR SWITCH Control button - Champagne (22kt Gold)

10 714 970-47

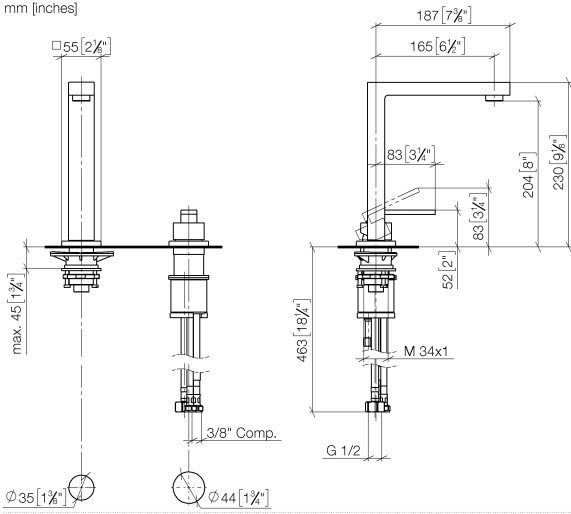




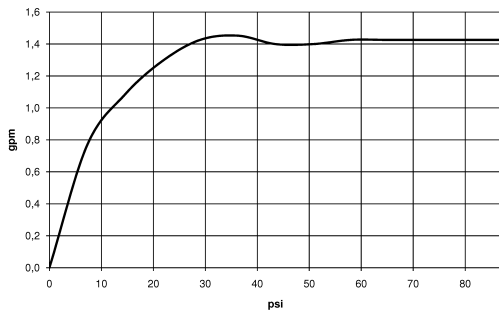
LOT BAR TAP Two-hole mixer with individual rosettes - Champagne (22kt Gold)

LOT

32 805 680
mm [inches]



Flow rate chart



Codes & Standards

ADA	ASME A112.18.1/CSA B125.1	California Energy Commission (CEC)	NSF/ANSI 372
NSF/ANSI/CAN 61	NSF372	NSF61	



LOT BAR TAP Two-hole mixer with individual rosettes - Champagne (22kt Gold)

LOT

32 805 680

Certificates

IAPMO_N-4

IAPMO_6



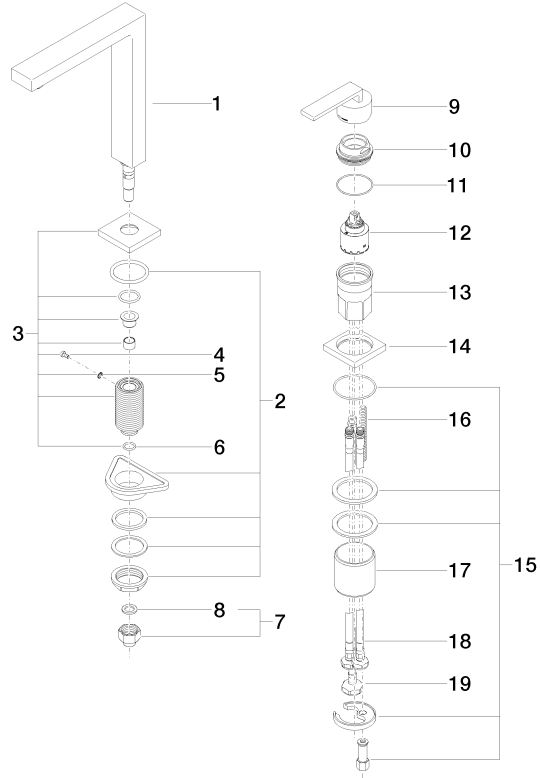
LOT BAR TAP Two-hole mixer with individual rosettes - Champagne (22kt Gold)

LOT

32 805 680

Product version from 6/1/2022

Parts for other finishes can be found here: [Chrome](#)





LOT BAR TAP Two-hole mixer with individual rosettes - Champagne (22kt Gold)

LOT

32 805 680

Spare parts list

Product version from 6/1/2022

No.	Item Number	Name	Quantity used	Delivery time
	90 11 06 192 06-47	spout	20	30