

MEM Two-hole mixer with individual rosettes - Chrome

MEM

32 815 682



- 241mm projection
- pivatable spout 360°
- Optional swivel limiter available with swivel limiter set 12 820 970 90
- air-enriched flow
- height of mixer 357 mm
- height up to aerator 215 mm
- individual rosette 60 x 60 mm
- hole diameter spout 35 mm
- single-lever mixer hole diameter 35 mm
- 2 x pressure hose with 3/8" cap nut
- max. flow 5.7 l/min at 3 bar flow pressure
- lead-free
- This product can help a building meet the requirements of Green Building Rating Systems, e.g. LEED®, BREEAM®, DGNB

Operating unit can be positioned freely.

	Chrome	32 815 682-00 0010
	Brushed Platinum	32 815 682-06 0010
	Platinum	32 815 682-08 0010
	Durabronze (23kt Gold)	32 815 682-09 0010
	Dark Chrome	32 815 682-19 0010
	Brushed Durabronze (23kt Gold)	32 815 682-28 0010
	Matte Black	32 815 682-33 0010
	Brushed Champagne (22kt Gold)	32 815 682-46 0010
	Champagne (22kt Gold)	32 815 682-47 0010
	Brushed Chrome	32 815 682-93 0010
	Brushed Dark Platinum	32 815 682-99 0010

Recommended miscellaneous

Swivel limitation set - 12 820 970 90



Recommended miscellaneous

AIR SWITCH Control button - Chrome 10 713 970-00

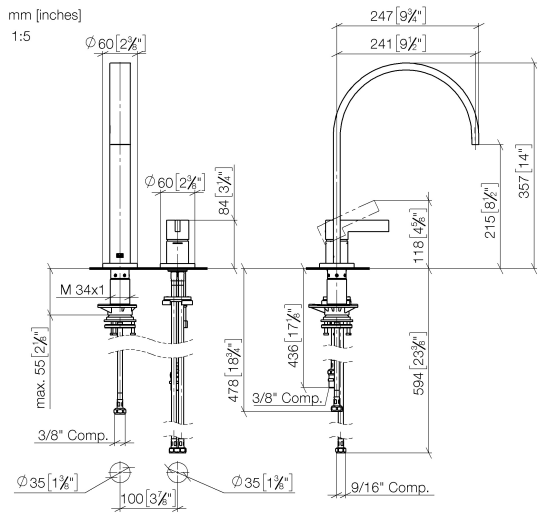


Recommended miscellaneous

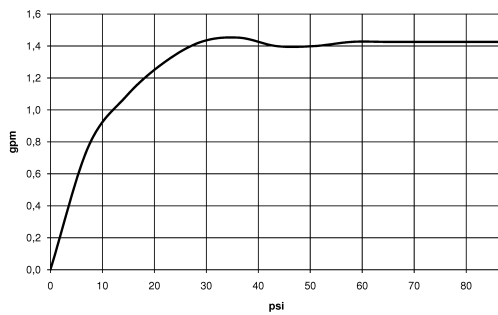
Dispenser with rosette - Chrome 82 444 970-00



32 815 682



Flow rate chart



Codes & Standards

California Energy
Commission
(CEC)

32 815 682

