

32 815 861



- 235mm projection
- pivotable spout 360°
- Optional swivel limiter available with swivel limiter set 12 820 970 90
- air-enriched flow
- height of mixer 336 mm
- height up to aerator 262 mm
- individual rosette 60 x 60 mm
- hole diameter spout 35 mm
- single-lever mixer hole diameter 35 mm
- 2 x pressure hose with 3/8" cap nut
- max. flow 5.7 l/min at 3 bar flow pressure
- lead-free
- This product can help a building meet the requirements of Green Building Rating Systems, e.g. LEED®, BREEAM®, DGNB

Operating unit can be positioned freely.

	Matte Black	32 815 861-33 0010
	Chrome	32 815 861-00 0010
	Brushed Platinum	32 815 861-06 0010
	Platinum	32 815 861-08 0010
	Durabrand (23kt Gold)	32 815 861-09 0010
	Dark Chrome	32 815 861-19 0010
	Brushed Durabrand (23kt Gold)	32 815 861-28 0010
	Brushed Champagne (22kt Gold)	32 815 861-46 0010
	Champagne (22kt Gold)	32 815 861-47 0010
	Brushed Chrome	32 815 861-93 0010
	Brushed Dark Platinum	32 815 861-99 0010

**Recommended miscellaneous**

**AIR SWITCH Control button - Matte Black** 10 713 970-33

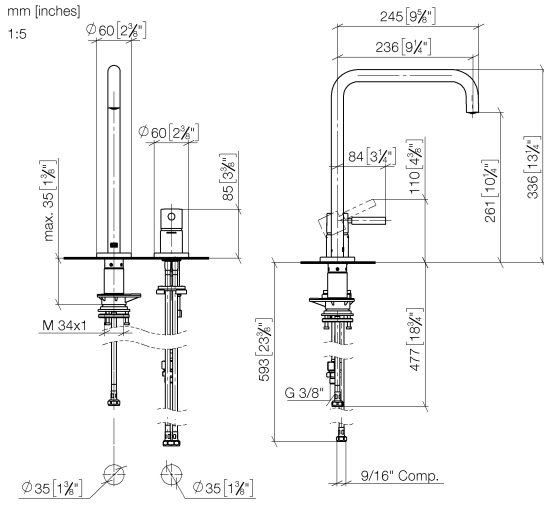


**Recommended miscellaneous**

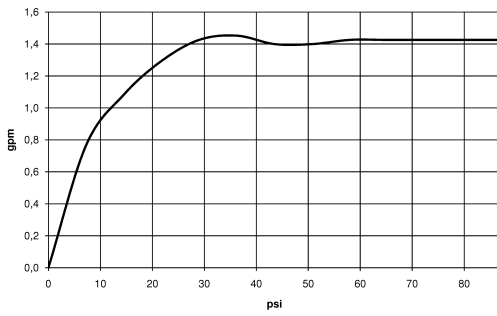
**Dispenser with rosette - Matte Black** 82 444 970-33



32 815 861



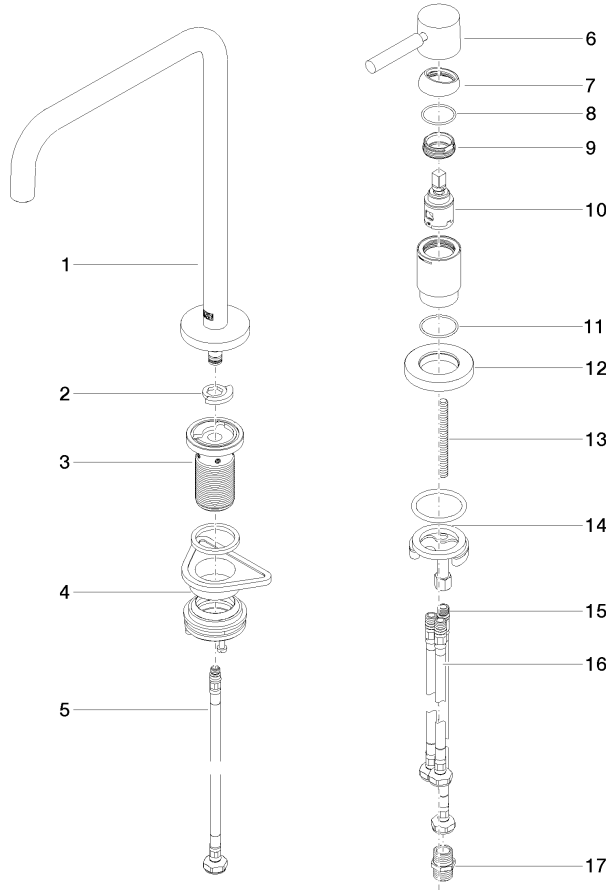
**Flow rate chart**



**Codes & Standards**

California Energy  
Commission  
(CEC)

32 815 861



**Spare parts list**

No.	Item Number	Name	Quantity used	Delivery time
1	90 28 22 288 00-33	spout	1	-
Spare part can no longer be ordered, please order the replacement item				
2	12 820 970 90	Swivel limitation set -	1	2
3	90 30 01 299 00 90	shaft	1	2
4	04 23 10 044 08 90	fixing set	1	2
5	04 30 04 100 00 90	hose	1	2
6	90 20 66 003 00-33	handle	1	30
7	09 28 30 026-33	cover	1	60
8	09 14 10 091 90	seal	1	2
9	09 24 04 266 90	nut	1	2
10	90 15 05 042 00 90	cartridge	1	2
11	09 14 10 110 90	seal	1	2
12	09 27 97 040-33	rosette	1	60
13	09 31 11 011 90	pin	1	2
14	04 30 11 085 97 90	fixing set	1	2
15	04 30 04 104 00 90	hose	1	2
16	04 30 04 107 00 90	hose	2	2
17	90 24 03 250 00 90	nipple	1	2