
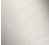




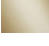



32 815 875



- 241mm projection
- pivotable spout 360°
- Optional swivel limiter available with swivel limiter set 12 820 970 90
- air-enriched flow
- height of mixer 373 mm
- height up to aerator 224 mm
- individual rosette 60 x 60 mm
- hole diameter spout 35 mm
- single-lever mixer hole diameter 35 mm
- 2 x pressure hose with 3/8" cap nut
- max. flow 5.7 l/min at 3 bar flow pressure
- lead-free
- This product can help a building meet the requirements of Green Building Rating Systems, e.g. LEED®, BREEAM®, DGNB

Operating unit can be positioned freely.

	Champagne (22kt Gold)	32 815 875-47 0010
	Chrome	32 815 875-00 0010
	Brushed Platinum	32 815 875-06 0010
	Platinum	32 815 875-08 0010
	Durabrace (23kt Gold)	32 815 875-09 0010
	Dark Chrome	32 815 875-19 0010
	Brushed Durabrace (23kt Gold)	32 815 875-28 0010
	Matte Black	32 815 875-33 0010
	Brushed Champagne (22kt Gold)	32 815 875-46 0010
	Brushed Chrome	32 815 875-93 0010
	Brushed Dark Platinum	32 815 875-99 0010

Recommended miscellaneous

Swivel limitation set - 12 820 970 90



Recommended miscellaneous

Dispenser with rosette - Champagne (22kt Gold) 82 444 970-47



Recommended miscellaneous

AIR SWITCH Control button - Champagne (22kt Gold) 10 713 970-47

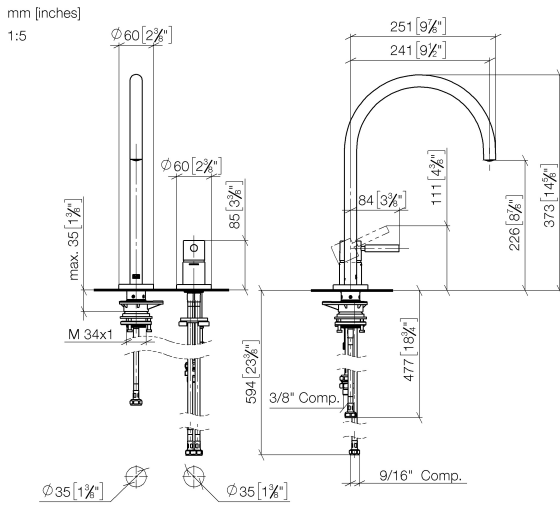




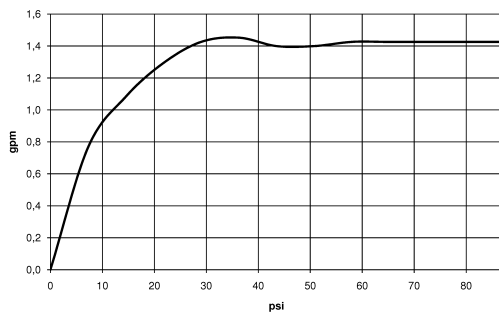
TARA ULTRA Two-hole mixer with individual rosettes - Champagne (22kt Gold)

TARA ULTRA

32 815 875



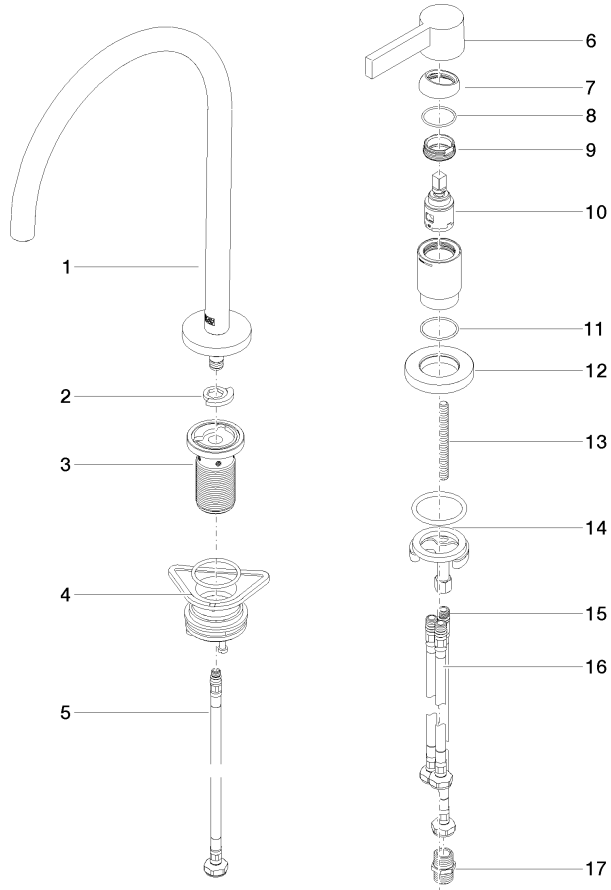
Flow rate chart



Codes & Standards

California Energy
Commission
(CEC)

32 815 875





TARA ULTRA Two-hole mixer with individual rosettes - Champagne (22kt Gold)

TARA ULTRA

32 815 875

Spare parts list

No.	Item Number	Name	Quantity used	Delivery time
	90 28 22 291 00-47	spout	18	-

Spare part can no longer be ordered, please order the replacement item