

32 815 875



- 241mm projection
- pivotable spout 360°
- Optional swivel limiter available with swivel limiter set 12 820 970 90
- air-enriched flow
- height of mixer 373 mm
- height up to aerator 224 mm
- individual rosette 60 x 60 mm
- hole diameter spout 35 mm
- single-lever mixer hole diameter 35 mm
- 2 x pressure hose with 3/8" cap nut
- max. flow 5.7 l/min at 3 bar flow pressure
- lead-free
- This product can help a building meet the requirements of Green Building Rating Systems, e.g. LEED®, BREEAM®, DGNB

Operating unit can be positioned freely.

| | | |
|---|--------------------------------|--------------------|
|  | Brushed Chrome | 32 815 875-93 0010 |
|  | Chrome | 32 815 875-00 0010 |
|  | Brushed Platinum | 32 815 875-06 0010 |
|  | Platinum | 32 815 875-08 0010 |
|  | Durabronze (23kt Gold) | 32 815 875-09 0010 |
|  | Dark Chrome | 32 815 875-19 0010 |
|  | Brushed Durabronze (23kt Gold) | 32 815 875-28 0010 |
|  | Matte Black | 32 815 875-33 0010 |
|  | Brushed Champagne (22kt Gold) | 32 815 875-46 0010 |
|  | Champagne (22kt Gold) | 32 815 875-47 0010 |
|  | Brushed Dark Platinum | 32 815 875-99 0010 |

Recommended miscellaneous

Swivel limitation set - 12 820 970 90



Recommended miscellaneous

AIR SWITCH Control button - 10 713 970-93
Brushed Chrome

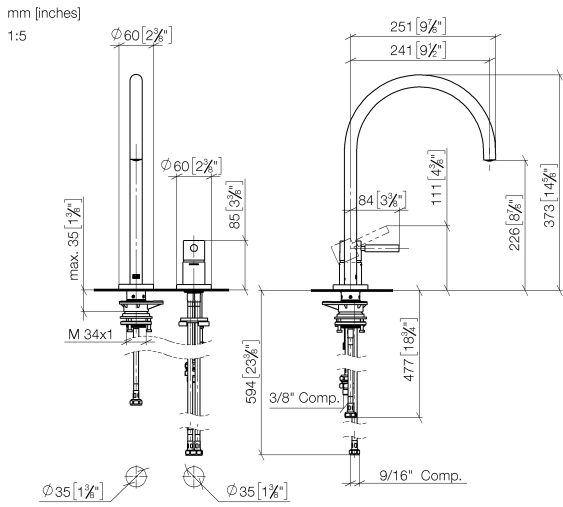


Recommended miscellaneous

Dispenser with rosette - Brushed Chrome 82 444 970-93



32 815 875



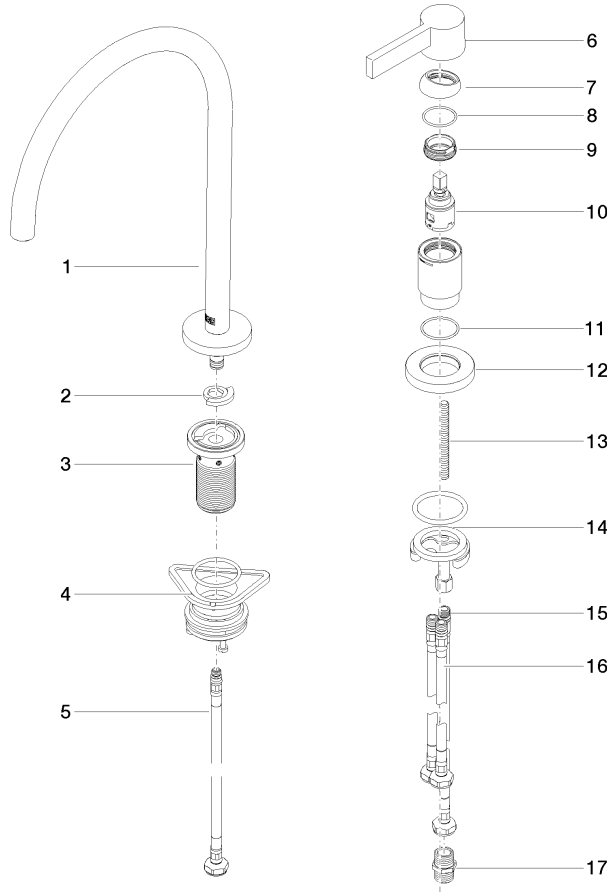
Flow rate chart



Codes & Standards

California Energy
Commission
(CEC)

32 815 875



Spare parts list

| No. | Item Number | Name | Quantity used | Delivery time |
|--|--------------------|-------------------------|---------------|---------------|
| 1 | 90 28 22 291 00-93 | spout | 1 | - |
| Spare part can no longer be ordered, please order the replacement item | | | | |
| 2 | 12 820 970 90 | Swivel limitation set - | 1 | 2 |
| 3 | 90 30 01 299 00 90 | shaft | 1 | 2 |
| 4 | 04 23 10 044 08 90 | fixing set | 1 | 2 |
| 5 | 04 30 04 100 00 90 | hose | 1 | 2 |
| 6 | 90 20 87 003 00-93 | handle | 1 | - |
| Spare part can no longer be ordered, please order the replacement item | | | | |
| 7 | 09 28 30 026-93 | cover | 1 | 60 |
| 8 | 09 14 10 091 90 | seal | 1 | 2 |
| 9 | 09 24 04 266 90 | nut | 1 | 2 |
| 10 | 90 15 05 042 00 90 | cartridge | 1 | 2 |
| 11 | 09 14 10 110 90 | seal | 1 | 2 |
| 12 | 09 27 97 040-93 | rosette | 1 | 60 |
| 13 | 09 31 11 011 90 | pin | 1 | 2 |
| 14 | 04 30 11 085 97 90 | fixing set | 1 | 2 |
| 15 | 04 30 04 104 00 90 | hose | 1 | 2 |
| 16 | 04 30 04 105 00 90 | hose | 2 | 2 |
| 17 | 90 24 03 250 00 90 | nipple | 1 | 2 |