

32 815 888



- 236mm projection
 - pivotable spout 360°
 - air-enriched flow
 - height of mixer 374 mm
 - height up to aerator 216 mm
 - individual rosette 60 x mm
 - hole diameter spout 35 mm
 - single-lever mixer hole diameter 35 mm
 - 2 x pressure hose with 3/8" cap nut
 - max. flow 5.7 l/min at 3 bar flow pressure
 - lead-free
 - This product can help a building meet the requirements of Green Building Rating Systems, e.g. LEED®, BREEAM®, DGNB
- Operating unit can be positioned freely.

	Chrome	32 815 888-00 0010
	Brushed Platinum	32 815 888-06 0010
	Platinum	32 815 888-08 0010
	Durabronze (23kt Gold)	32 815 888-09 0010
	Dark Chrome	32 815 888-19 0010
	Brushed Durabronze (23kt Gold)	32 815 888-28 0010
	Matte Black	32 815 888-33 0010
	Brushed Champagne (22kt Gold)	32 815 888-46 0010
	Champagne (22kt Gold)	32 815 888-47 0010
	Brushed Chrome	32 815 888-93 0010
	Brushed Dark Platinum	32 815 888-99 0010

Recommended miscellaneous

Swivel limitation set - 12 820 970 90



Recommended miscellaneous

AIR SWITCH Control button - Chrome 10 713 970-00

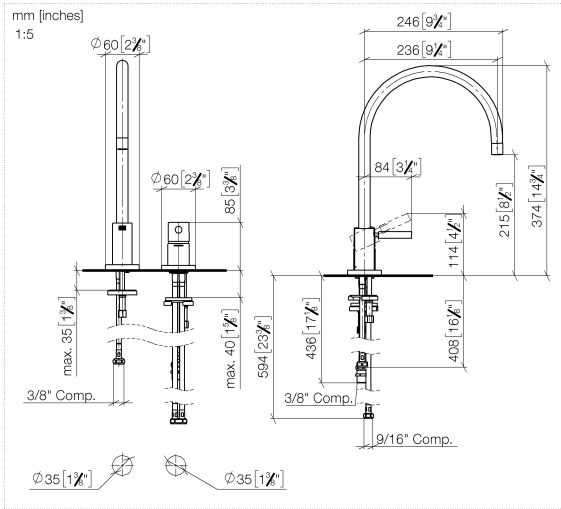


Recommended miscellaneous

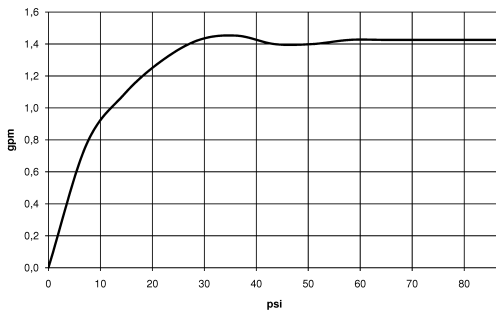
Dispenser with rosette - Chrome 82 444 970-00



32 815 888



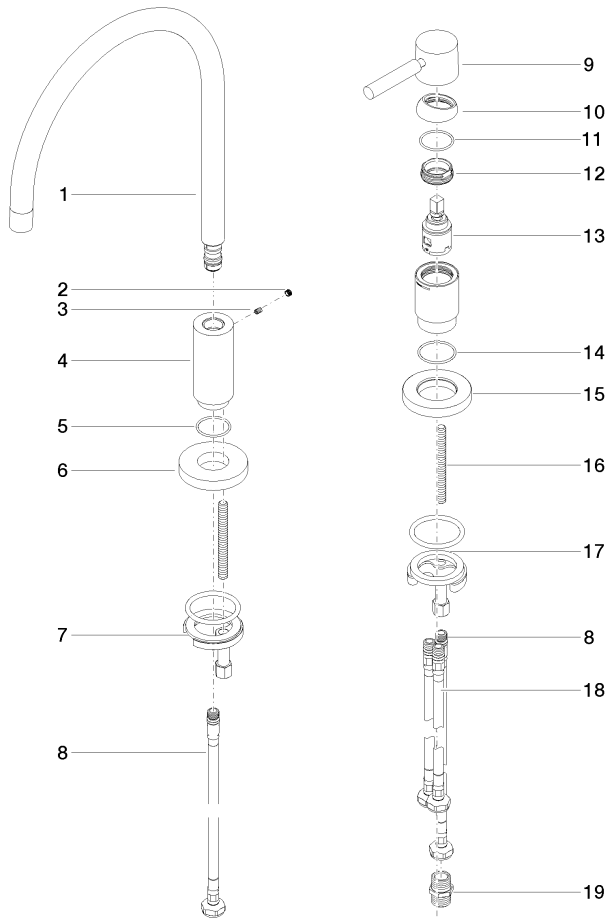
Flow rate chart



Codes & Standards

California Energy
Commission
(CEC)

32 815 888



Spare parts list

No.	Item Number	Name	Quantity used	Delivery time
1	90 28 22 226 02-00	spout	1	10
2	90 31 20 109 00 90	plug	1	2
3	09 31 11 008 90	pin	1	2
4	09 11 10 062 10-00	connection	1	10
5	09 14 10 120 90	seal	1	2
6	90 28 10 211 00-00	rosette	1	-
Spare part can no longer be ordered, please order the replacement item				
7	04 30 11 038 00 90	fixing set	1	2
8	04 30 04 019 00 90	hose	2	2
9	90 20 66 003 00-00	handle	1	10
10	09 28 30 026-00	cover	1	10
11	09 14 10 091 90	seal	1	2
12	09 24 04 266 90	nut	1	2
13	90 15 05 042 00 90	cartridge	1	2
14	09 14 10 110 90	seal	1	2
15	09 27 97 040-00	rosette	1	10
16	09 31 11 011 90	pin	1	2
17	04 30 11 085 97 90	fixing set	1	2
18	04 30 04 107 00 90	hose	2	2
19	90 24 03 168 00 90	nipple	1	2