

**META Single-lever bath mixer for wall mounting with hand shower set -
Brushed Bronze**

META

33 233 660



- spout: circular, air-enriched flow
- max. flow 14 l/min at 3 bar flow pressure
- Hand shower: COMPACT RAIN, max. flow rate 6.8 l/min (at 3 bar)
- complete hand shower set with anti-scale system
- automatic bath/shower diverter
- 202mm projection
- slide-on rosettes Ø 60 mm
- gauge 150 mm - 15 mm
- 1/2" connection
- metal shower hose 1250mm with integrated anti-twist protection
- shower holder rosette Ø 57mm
- WRAS 2207043

Intrinsic protection against back flow.


Note: Local building codes may require the use of an anti-scald device. Please refer to remote pressure balance valve (35 910 970 90)

Intrinsic protection against back flow.

Note: Local building codes may require the use of an anti-scald device. Please refer to remote pressure balance valve (35 910 970 90)

	Brushed Bronze	33 233 660-42
	Chrome	33 233 660-00
	Brushed Platinum	33 233 660-06
	Dark Chrome	33 233 660-19
	Light Gold	33 233 660-26
	Brushed Light Gold	33 233 660-27
	Matte Black	33 233 660-33
	Brushed Champagne (22kt Gold)	33 233 660-46
	Champagne (22kt Gold)	33 233 660-47
	Brushed Chrome	33 233 660-93
	Brushed Dark Platinum	33 233 660-99

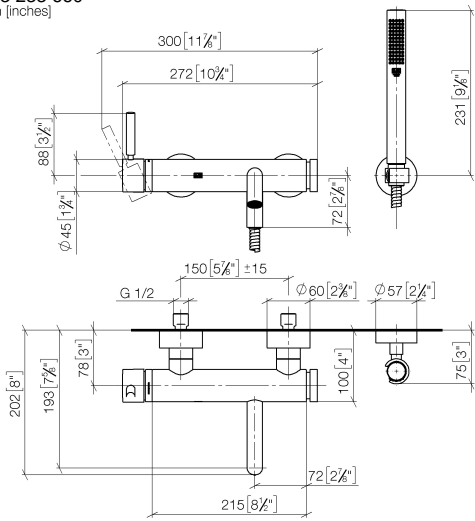
Required miscellaneous

	Concealed adapter - •please order two adapters (USA only)	35 080 970-90 0010
---	---	-----------------------

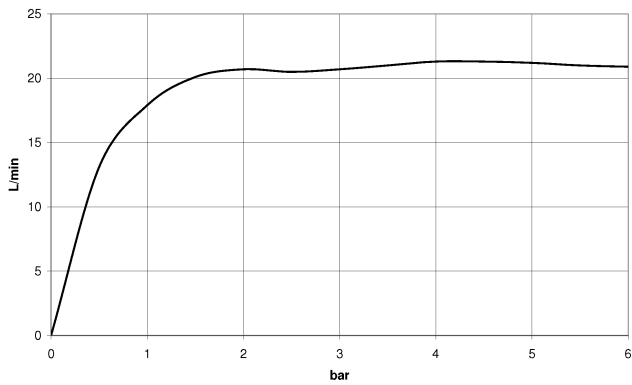
**META Single-lever bath mixer for wall mounting with hand shower set -
Brushed Bronze**

META

33 233 660
mm [inches]



Flow rate chart



Codes & Standards

California Energy
Commission
(CEC)



META Single-lever bath mixer for wall mounting with hand shower set -
Brushed Bronze

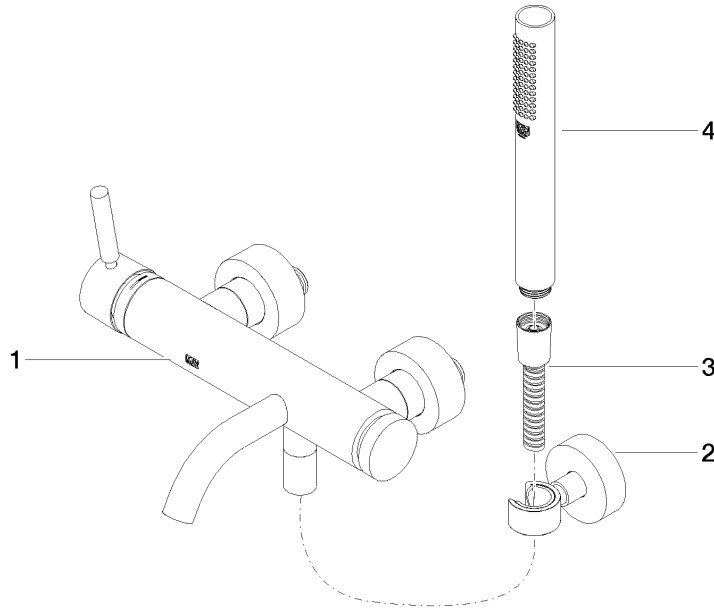
META

33 233 660

Certificates

LGA_29687.

33 233 660



Spare parts list

No.	Item Number	Name	Quantity used	Delivery time
1	33 200 660-42	META Single-lever bath mixer for wall mounting without shower set - Brushed Bronze	1	30
2	28 050 920-42	holder	1	-
Spare part can no longer be ordered, please order the replacement item				
3	90 30 02 072 00-42	hose	1	30
4	90 12 11 140 30-42	shower	1	30