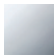



33 500 710

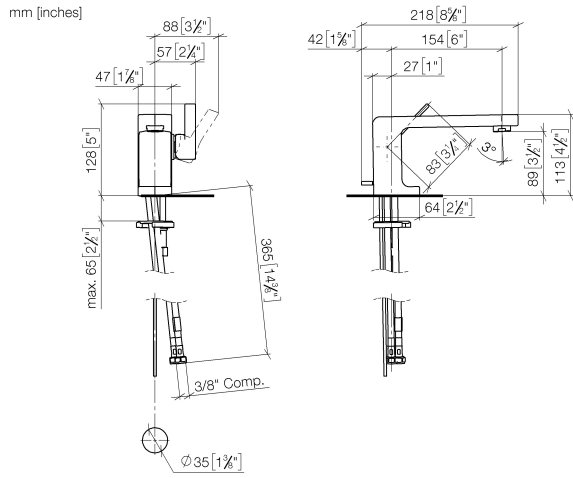


- 155mm projection
- 1 1/4" pop-up waste
- fixed spout
- circular, air-enriched flow
- height of mixer 113 mm
- height up to aerator 90 mm
- hole diameter 35 mm
- 2 x pressure hose with 3/8" cap nut
- max. flow 4.5 l/min
- lead-free
- This product can help a building meet the requirements of Green Building Rating Systems, e.g. LEED®, BREEAM®, DGNB

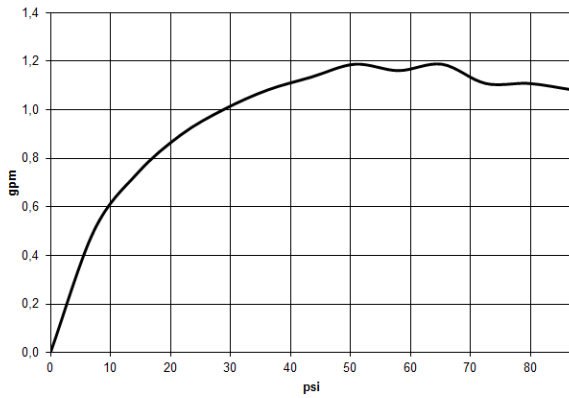
Only suitable for basins with an overflow.

	Chrome	33 500 710-00 0010
	Brushed Platinum	33 500 710-06 0010

33 500 710



**Flow rate chart**



**Codes & Standards**

ADA

ASME  
A112.18.1/CSA  
B125.1

California Energy  
Commission  
(CEC)

NSF/ANSI 372

NSF/ANSI/CAN  
61

Water Sense





## LULU Single-lever basin mixer with pop-up waste - Chrome

---

LULU

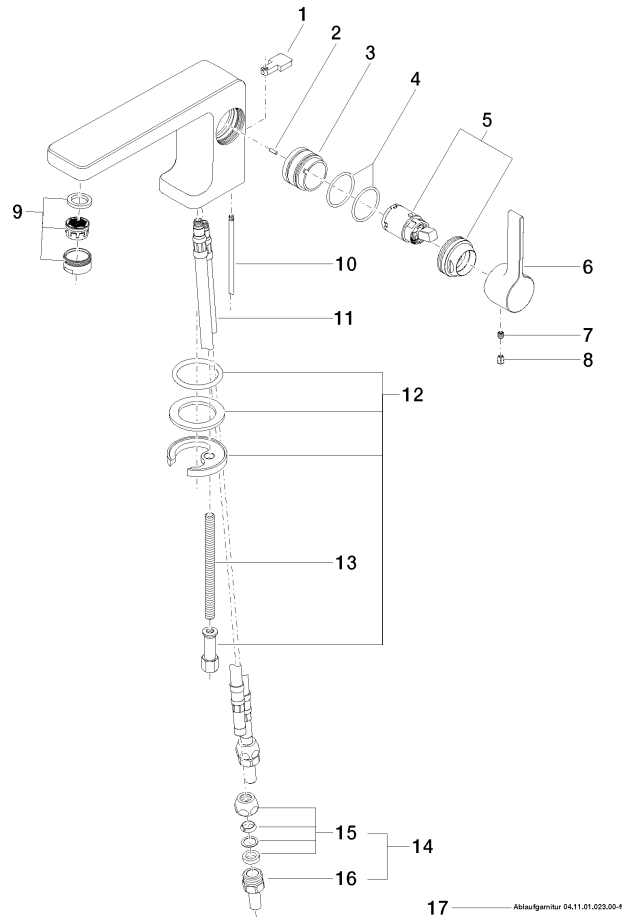
33 500 710

### Certificates

---

IAPMO\_8834 (1). IAPMO\_N-4976 (1). IAPMO\_4976 (3). IAPMO\_6397 (1).

33 500 710



### Spare parts list

No.	Item Number	Name	Quantity used	Delivery time
1	09 20 71 030-00	handle	1	10
2	09 31 11 111 90	pin	1	2
3	09 18 40 095 10 90	sleeve	1	2
4	09 14 10 137 90	seal	2	2
5	90 15 05 041 00-00	cartridge	1	2
6	09 20 71 040-00	handle	1	10
7	90 31 11 030 00 90	pin	1	2
8	09 31 20 017 90	plug	1	2
9	90 23 01 118 04-00	aerator	1	10
10	09 31 09 080-00	pull-rod	1	10
11	04 30 04 018 00 90	hose	2	60
12	04 30 11 038 75 90	fixing set	1	2
13	09 31 11 012 90	pin	1	2
14	04 24 04 222 00-00	adaptor	2	10
15	04 23 30 031 01-07	threaded connector	2	60
16	09 24 04 222 10-00	adaptor	2	10
17	90 11 01 023 00-00	pop-up waste	1	10