

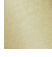




CYO Single-lever basin mixer with pop-up waste - Brushed Durabross (23kt Gold)

CYO

33 500 811



- 143mm projection
- 1 1/4" pop-up waste
- fixed spout
- rectangular, air-enriched flow
- height of mixer 180 mm
- height up to aerator 128 mm
- hole diameter 35 mm
- max. flow 4.5 l/min
- 2 x pressure hose with 3/8" cap nut
- lead-free
- This product can help a building meet the requirements of Green Building Rating Systems, e.g. LEED®, BREEAM®, DGNB

	Brushed Durabross (23kt Gold)	33 500 811-28 0010
	Chrome	33 500 811-00 0010
	Brushed Platinum	33 500 811-06 0010
	Dark Chrome	33 500 811-19 0010
	Brushed Dark Platinum	33 500 811-99 0010

Only suitable for basins with an overflow.

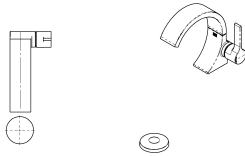
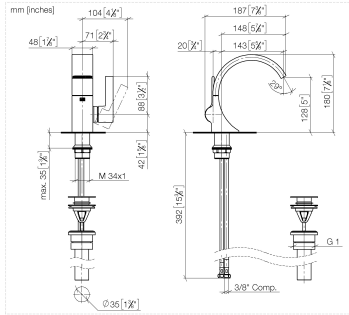
Distance from centre of tap hole to wall min. 55 mm
or to front edge of basin min. 40 mm.



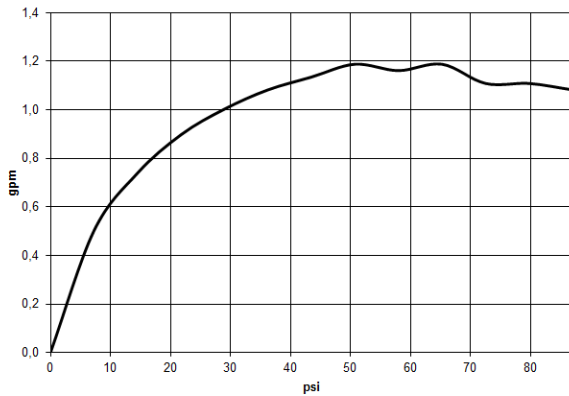
CYO Single-lever basin mixer with pop-up waste - Brushed Durabronz (23kt Gold)

CYO

33 500 811



Flow rate chart



Codes & Standards

California Energy
Commission
(CEC)



CYO Single-lever basin mixer with pop-up waste - Brushed Durabronze (23kt Gold)

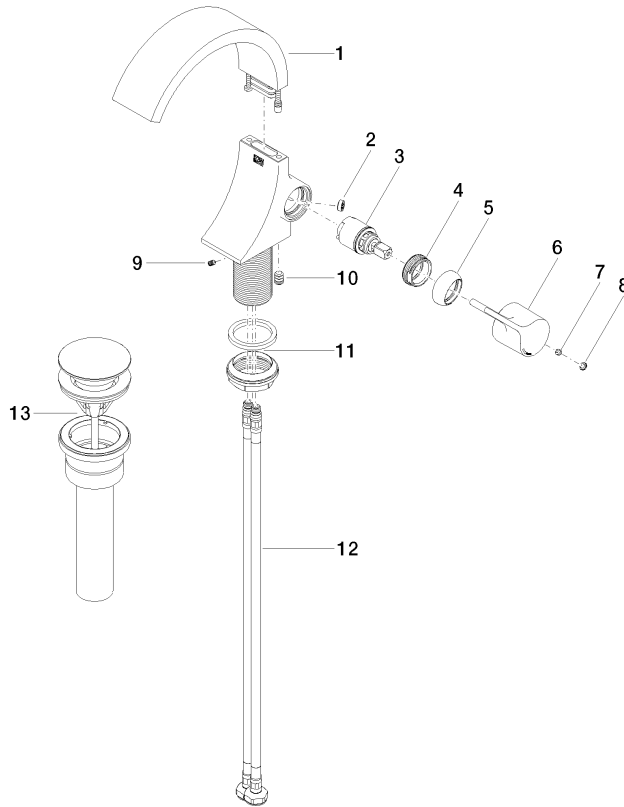
CYO

33 500 811

Certificates

IAPMO_N-4976 (1). IAPMO_6397 (1).

33 500 811
Parts for other
finishes can be found
here: Chrome



Spare parts list

No.	Item Number	Name	Quantity used	Delivery time
1	90 11 70 012 01-28	spout	1	20
2	09 23 01 172 90	flow reducer	1	2
3	90 15 05 044 00 90	cartridge	1	2
4	09 24 04 266 90	nut	1	2
5	09 28 30 021-28	cover	1	20
6	09 20 80 024-28	handle	1	20
7	90 31 11 030 00 90	pin	1	2
8	90 31 20 087 00-28	plug	1	20
9	09 31 11 008 90	pin	1	2
10	90 31 20 129 00 90	plug	1	2
11	04 23 10 044 07 90	fixing set	1	2
12	04 30 04 102 00 90	High pressure hose 3/8" -	2	2
13	10 125 970-28 0010	Basin Waste 1 1/4" - Brushed Durabronz (23kt Gold)	1	2