

33 500 845



- 130mm projection
- 1 1/4" pop-up waste
- fixed spout
- circular, air-enriched flow
- height of mixer 127 mm
- height up to aerator 75 mm
- hole diameter 35 mm
- 2 x pressure hose with 3/8" cap nut
- max. flow 4.5 l/min
- lead-free
- This product can help a building meet the requirements of Green Building Rating Systems, e.g. LEED®, BREEAM®, DGNB

Only suitable for basins with an overflow.

	Brushed Light Gold	33 500 845-27 0010
	Chrome	33 500 845-00 0010
	Brushed Platinum	33 500 845-06 0010
	Dark Chrome	33 500 845-19 0010
	Matte Black	33 500 845-33 0010
	Brushed Chrome	33 500 845-93 0010
	Brushed Dark Platinum	33 500 845-99 0010

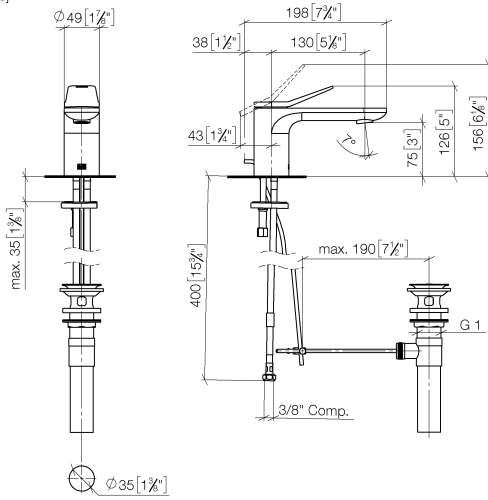


LISSÉ Single-lever basin mixer with pop-up waste - Brushed Light Gold

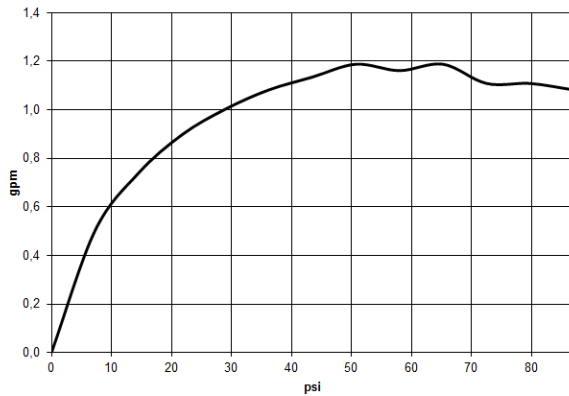
LISSÉ

33 500 845

mm [inches]



Flow rate chart



Codes & Standards

ADA	ASME A112.18.1/CSA B125.1	California Energy Commission (CEC)	NSF/ANSI 372
NSF/ANSI/CAN 61	NSF372	NSF61	



LISSÉ Single-lever basin mixer with pop-up waste - Brushed Light Gold

LISSÉ

33 500 845

Certificates

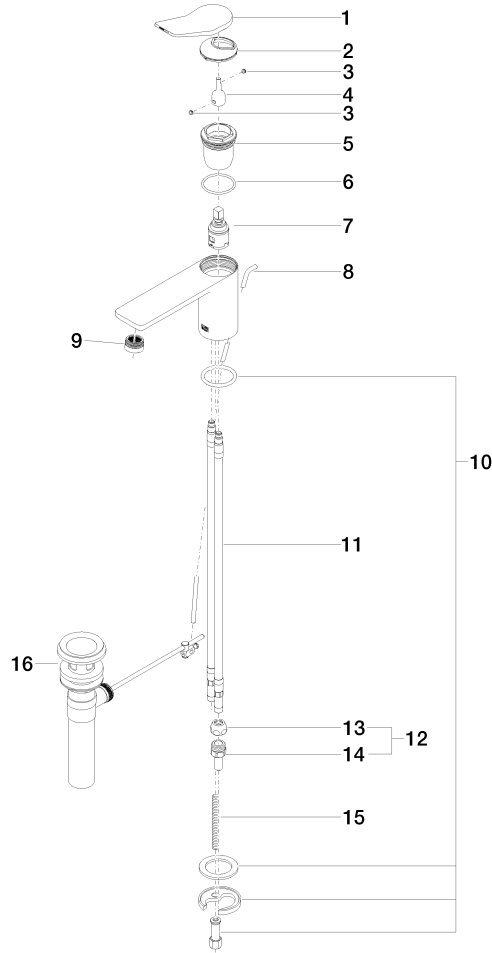
IAPMO_6397

IAPMO_N-4976

33 500 845

Product version from 5/3/2021

Parts for other finishes can be found here: [Chrome](#)





33 500 845

Spare parts list

Product version from 5/3/2021