

33 501 660

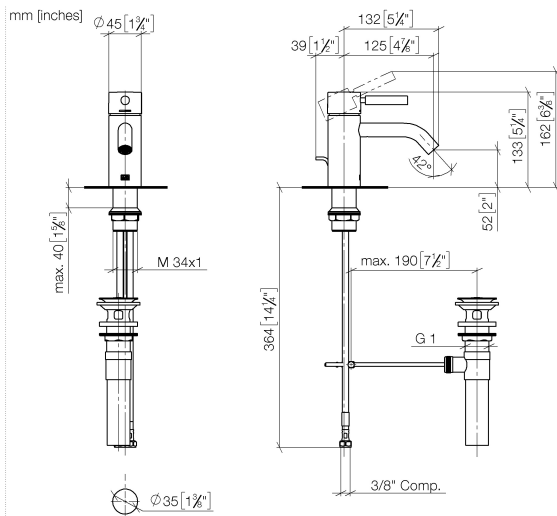


- 125mm projection
- 1 1/4" pop-up waste
- fixed spout
- circular, air-enriched flow
- height of mixer 133 mm
- height up to aerator 52 mm
- hole diameter 35 mm
- 2x screw-in M 8 x 1 pressure hose, leak-tested
- 2 x pressure hose with 3/8" cap nut
- max. flow 4.5 l/min
- lead-free
- This product can help a building meet the requirements of Green Building Rating Systems, e.g. LEED®, BREEAM®, DGNB

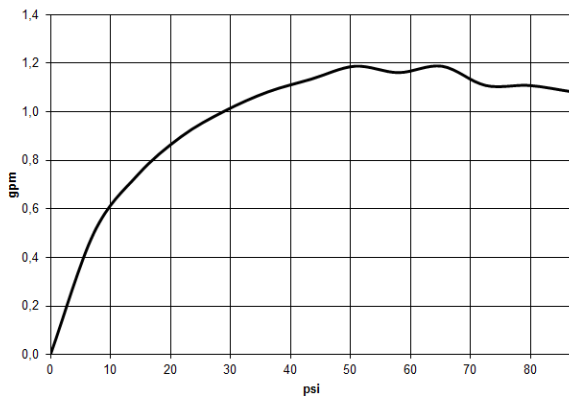
Only suitable for basins with an overflow.

|   |                               |                    |
|---|-------------------------------|--------------------|
|    | Brushed Platinum              | 33 501 660-06 0010 |
|    | Chrome                        | 33 501 660-00 0010 |
|    | Dark Chrome                   | 33 501 660-19 0010 |
|    | Light Gold                    | 33 501 660-26 0010 |
|    | Brushed Light Gold            | 33 501 660-27 0010 |
|    | Matte Black                   | 33 501 660-33 0010 |
|    | Brushed Bronze                | 33 501 660-42 0010 |
|    | Brushed Champagne (22kt Gold) | 33 501 660-46 0010 |
|    | Champagne (22kt Gold)         | 33 501 660-47 0010 |
|   | Brushed Chrome                | 33 501 660-93 0010 |
|  | Brushed Dark Platinum         | 33 501 660-99 0010 |

33 501 660



**Flow rate chart**



**Codes & Standards**

ADA

ASME  
A112.18.1/CSA  
B125.1

California Energy  
Commission  
(CEC)

NSF/ANSI 372

NSF/ANSI/CAN  
61

Water Sense





## META Single-lever basin mixer with pop-up waste - Brushed Platinum

---

META

33 501 660

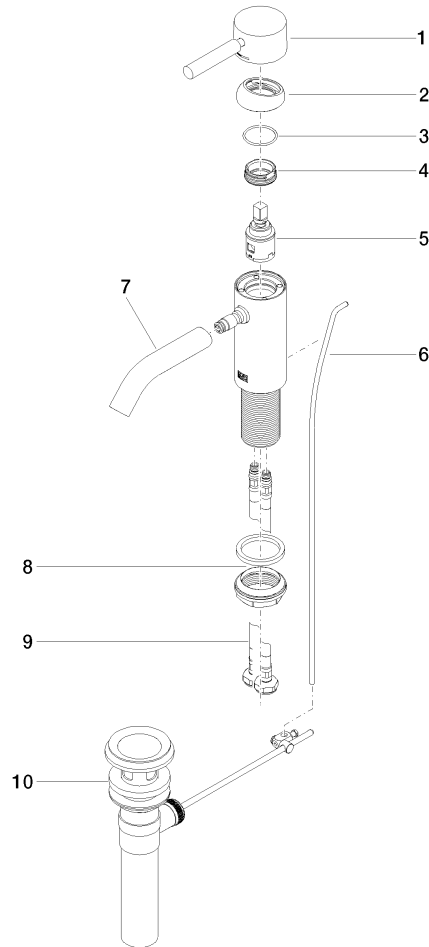
### Certificates

---

IAPMO\_4976 (5). IAPMO\_8834 (1). IAPMO\_N-4976 (1). IAPMO\_6397 (1).

33 501 660

Parts for other finishes can be found here: [Chrome](#)



**Spare parts list**

| No. | Item Number        | Name                      | Quantity used | Delivery time |
|-----|--------------------|---------------------------|---------------|---------------|
| 1   | 90 20 66 002 00-06 | handle                    | 1             | 10            |
| 2   | 09 28 30 041-06    | cover                     | 1             | 10            |
| 3   | 09 14 10 091 90    | seal                      | 1             | 2             |
| 4   | 09 24 04 266 90    | nut                       | 1             | 2             |
| 5   | 90 15 05 042 00 90 | cartridge                 | 1             | 2             |
| 6   | 09 31 09 110-06    | pull-rod                  | 1             | 10            |
| 7   | 90 11 06 206 01-06 | spout                     | 1             | 10            |
| 8   | 04 23 10 044 07 90 | fixing set                | 1             | 2             |
| 9   | 04 30 04 102 00 90 | High pressure hose 3/8" - | 2             | 2             |
| 10  | 90 11 01 023 00-06 | pop-up waste              | 1             | 10            |