

33 502 660

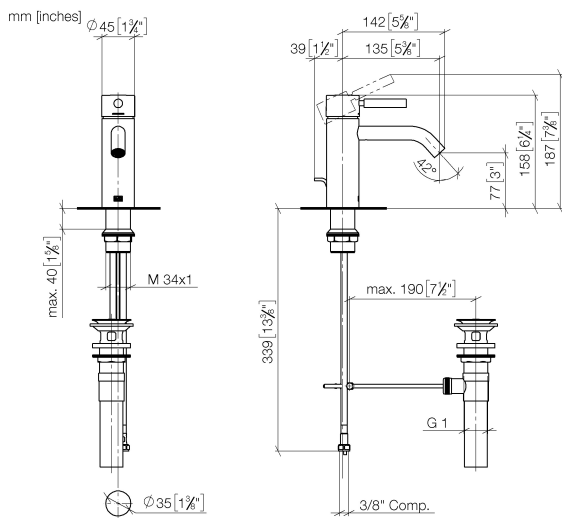


- 135mm projection
- 1 1/4" pop-up waste
- fixed spout
- circular, air-enriched flow
- height of mixer 158 mm
- height up to aerator 77 mm
- hole diameter 35 mm
- 2 x pressure hose with 3/8" cap nut
- max. flow 4.5 l/min
- lead-free
- This product can help a building meet the requirements of Green Building Rating Systems, e.g. LEED®, BREEAM®, DGNB

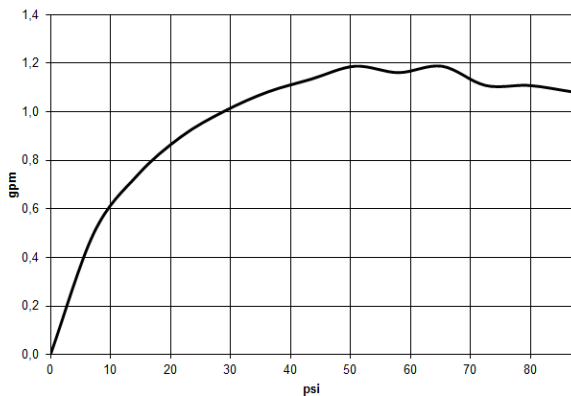
Only suitable for basins with an overflow.

| | | |
|---|-------------------------------|--------------------|
|  | Matte Black | 33 502 660-33 0010 |
|  | Chrome | 33 502 660-00 0010 |
|  | Brushed Platinum | 33 502 660-06 0010 |
|  | Dark Chrome | 33 502 660-19 0010 |
|  | Light Gold | 33 502 660-26 0010 |
|  | Brushed Light Gold | 33 502 660-27 0010 |
|  | Brushed Bronze | 33 502 660-42 0010 |
|  | Brushed Champagne (22kt Gold) | 33 502 660-46 0010 |
|  | Champagne (22kt Gold) | 33 502 660-47 0010 |
|  | Brushed Chrome | 33 502 660-93 0010 |
|  | Brushed Dark Platinum | 33 502 660-99 0010 |

33 502 660



Flow rate chart



Codes & Standards

ADA

ASME
A112.18.1/CSA
B125.1

California Energy
Commission
(CEC)

NSF/ANSI 372

NSF/ANSI/CAN
61

Water Sense





META Single-lever basin mixer with pop-up waste - Matte Black

META

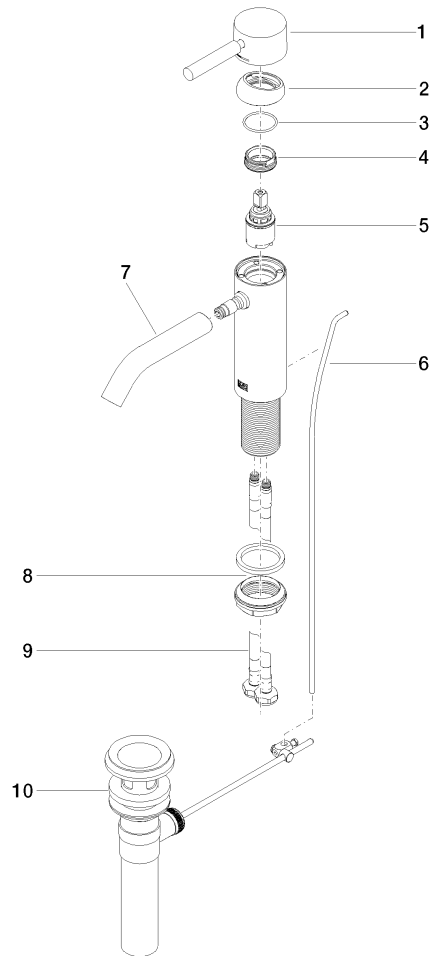
33 502 660

Certificates

IAPMO_8834 (1). IAPMO_N-4976 (1). IAPMO_6397 (1). IAPMO_4976 (4).

33 502 660

Parts for other finishes can be found here: [Chrome](#)



Spare parts list

| No. | Item Number | Name | Quantity used | Delivery time |
|-----|--------------------|---------------------------|---------------|---------------|
| 1 | 90 20 66 002 00-33 | handle | 1 | 30 |
| 2 | 09 28 30 041-33 | cover | 1 | 30 |
| 3 | 09 14 10 091 90 | seal | 1 | 2 |
| 4 | 09 24 04 266 90 | nut | 1 | 2 |
| 5 | 90 15 05 044 00 90 | cartridge | 1 | 2 |
| 6 | 09 31 09 110-33 | pull-rod | 1 | 30 |
| 7 | 90 11 06 207 01-33 | spout | 1 | 30 |
| 8 | 04 23 10 044 07 90 | fixing set | 1 | 2 |
| 9 | 04 30 04 102 00 90 | High pressure hose 3/8" - | 2 | 2 |
| 10 | 90 11 01 023 00-33 | pop-up waste | 1 | 30 |