

**MEM Single-lever basin mixer with pop-up waste - Brushed Champagne (22kt Gold)**

MEM

33 502 782



- 113mm projection
- 1 1/4" pop-up waste
- fixed spout
- rectangular, air-enriched flow
- height of mixer 284 mm
- height up to aerator 216 mm
- hole diameter 35 mm
- 2x screw-in M 10 x 1 pressure hose, leak-tested
- 2x US pressure hose, 3/8"
- max. flow 4.5 l/min
- lead-free
- This product can help a building meet the requirements of Green Building Rating Systems, e.g. LEED®, BREEAM®, DGNB

Only suitable for basins with an overflow.

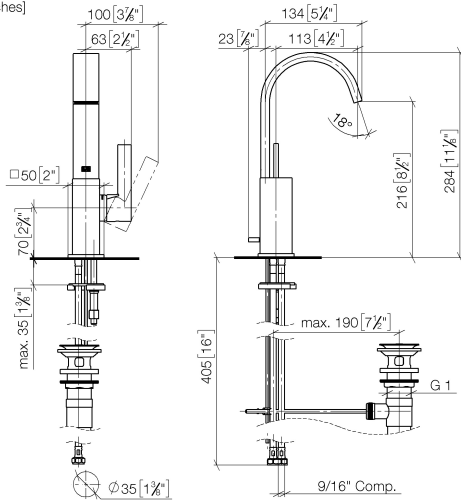
	Brushed Champagne (22kt Gold)	33 502 782-46 0010
	Chrome	33 502 782-00 0010
	Brushed Platinum	33 502 782-06 0010
	Platinum	33 502 782-08 0010
	Dark Chrome	33 502 782-19 0010
	Brushed Durabrass (23kt Gold)	33 502 782-28 0010
	Champagne (22kt Gold)	33 502 782-47 0010
	Brushed Dark Platinum	33 502 782-99 0010



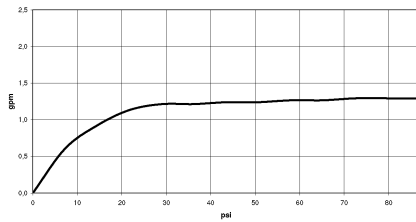
# MEM Single-lever basin mixer with pop-up waste - Brushed Champagne (22kt Gold)

MEM

33 502 782  
mm [inches]



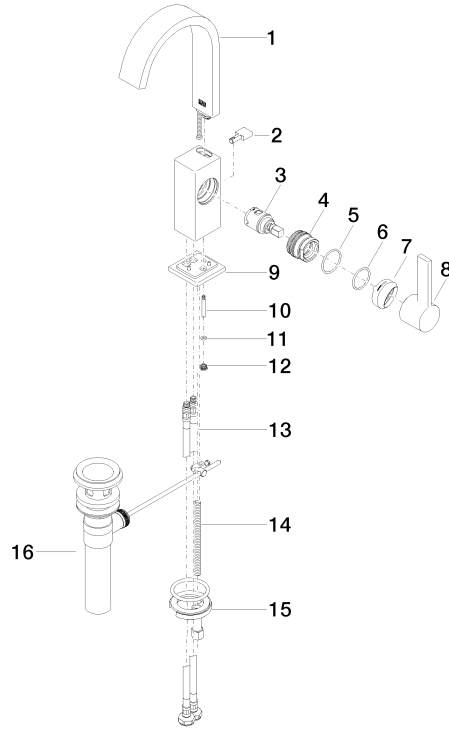
## Flow rate chart



## Codes & Standards

California Energy  
Commission  
(CEC)

33 502 782  
Parts for other  
finishes can be found  
here: [Chrome](#)



**Spare parts list**

No.	Item Number	Name	Quantity used	Delivery time
1	90 28 22 366 10-46	spout	1	30
2	09 20 78 032-46	handle	1	60
3	90 15 05 042 00 90	cartridge	1	2
4	09 24 04 288 90	nut	1	2
5	09 14 10 137 90	seal	1	2
6	90 14 10 063 00 90	seal	1	2
7	90 28 30 051 00-46	cover	1	30
8	90 20 86 004 00-46	handle	1	30
9	90 27 66 021 00-46	rosette	1	30
10	09 31 09 080-46	pull-rod	1	30
11	09 14 10 166 90	seal	1	2
12	09 24 04 290 90	nipple	1	2
13	04 30 04 102 00 90	High pressure hose 3/8" -	2	2
14	09 31 11 012 90	pin	1	2
15	04 30 11 038 00 90	fixing set	1	2
16	90 11 01 023 00-46	pop-up waste	1	30